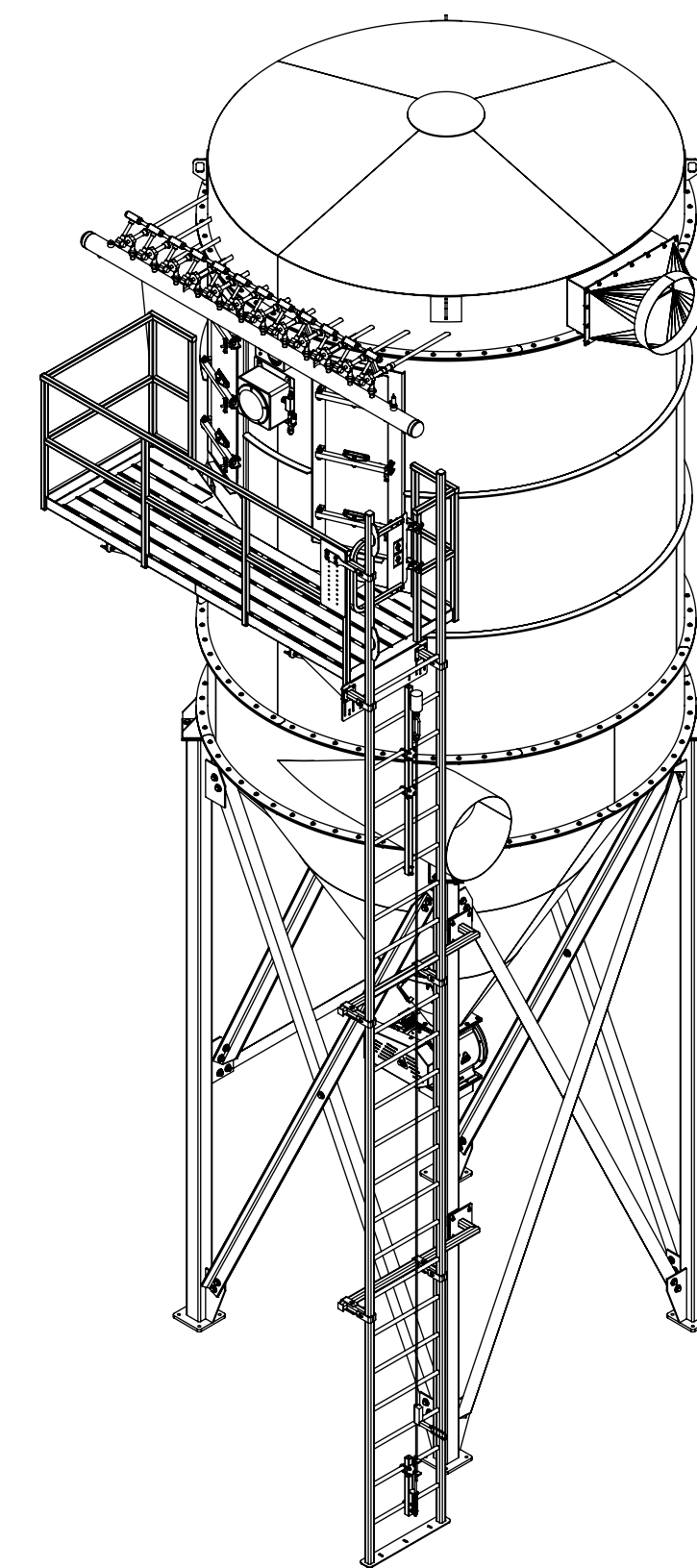
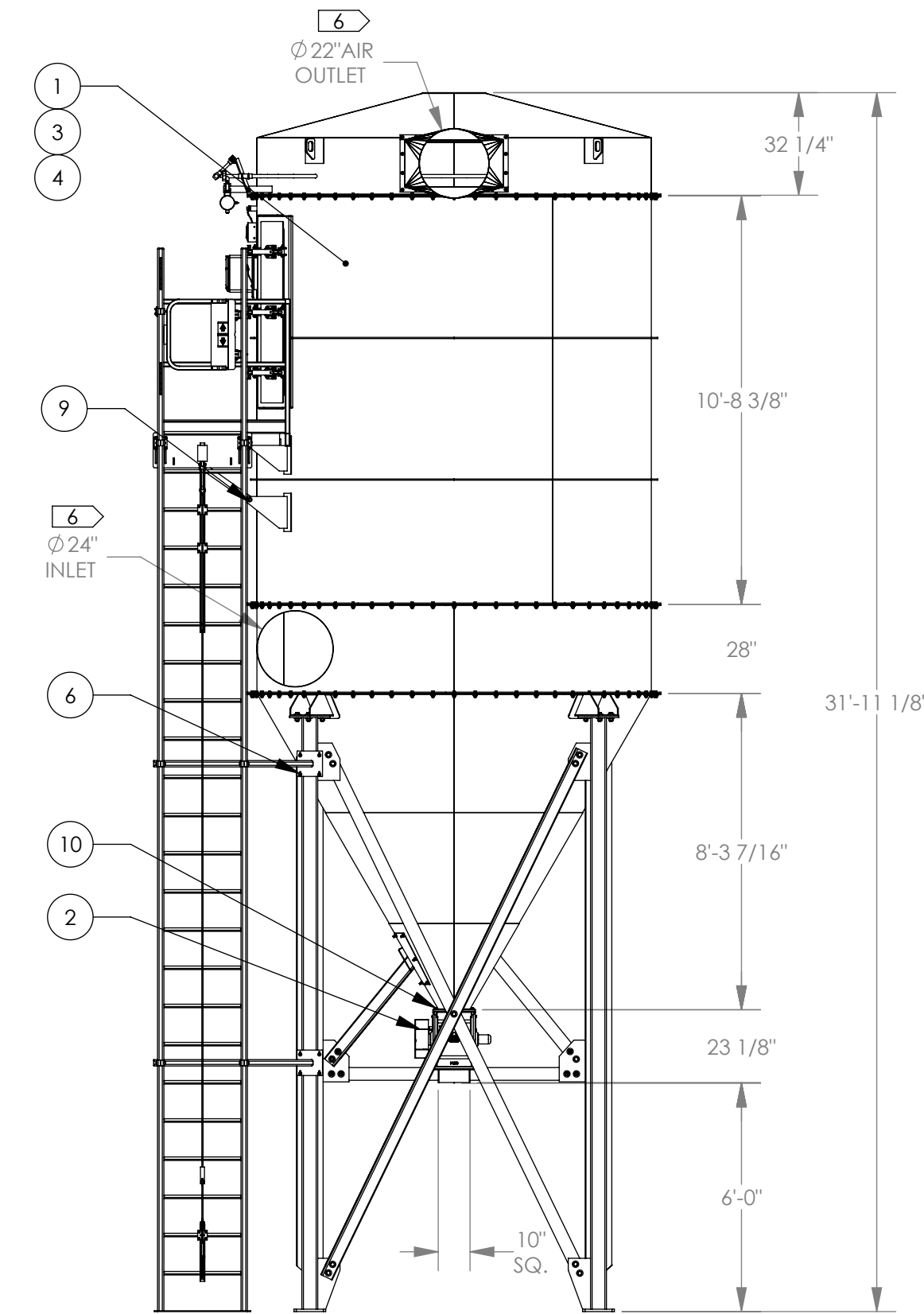
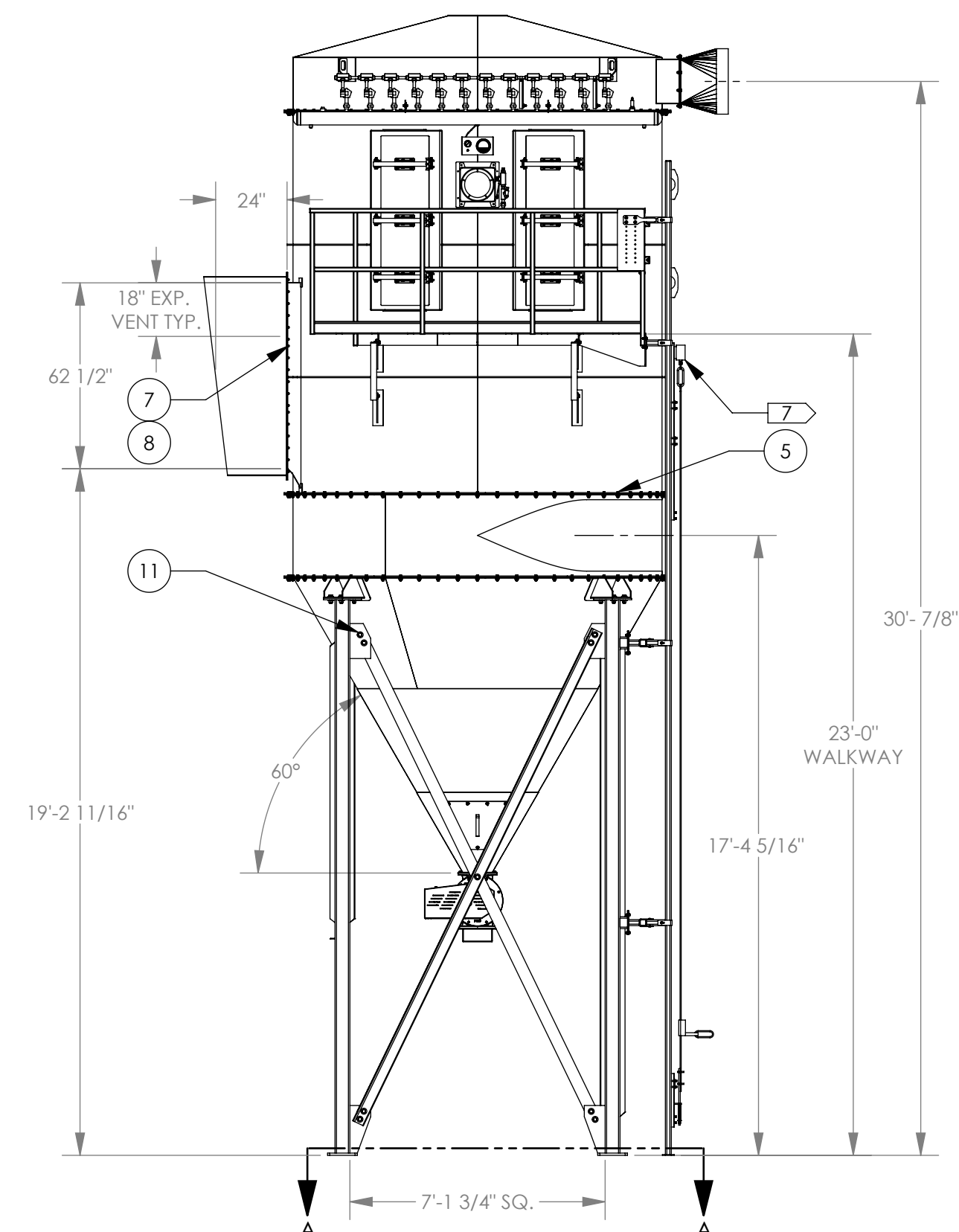


ANCHOR BOLT PATTERN
SECTION A-A
SCALE 1 : 24



ISOMETRIC REFERENCE VIEW



BILL OF MATERIALS				
ITEM	PART NO.	QTY.	DESCRIPTION	WEIGHT
1	-	1	VR132-10 W LEGS	10554.1
2	-	1	VJ12x8x8	444.4
3	10003404	132	FILTER BAG, 4 5/8" ID X 120" OAL BOTTOM LOAD, ROUND DISC BOTTOM, RAW EDGE TOP, 16 OZ. SINGED POLYESTER WITH STAINLESS STEEL GROUND WIRE NOT SEWN IN THE SEAM.	1.4
4	FC4.5X118BLG	132	FILTER CAGE, 4 1/2" DIA. X 118" LONG (10FT), GALV.	5.3
5	10003283	180	HHCS, 7/16-14 x 1 3/4 LG. w/ HN & 2 FW	0.0
6	10003113	80	HHCS, 3/8-16 x 1 1/4 LG. w/ HN & 2 FW - GR 5, SZP	0.0
7	50000622	36	FW, 3/8, GR 5, SZP	0.0
8	50001140	36	HN, 3/8-16, GR 5, SZP	0.0
9	10003065	6	HHCS, 1/2-13 x 1 3/4 LG. w/ HN & 2 FW - GR 5, SZP	0.0
10	10003107	12	HHCS, 3/8-16 x 1 LG. w/ FW - GR 5, SZP	0.0
11	10003091	56	HHCS, 3/4-10 x 2 1/4 LG. w/ HN & 2 FW - GR 5, SZP	0.1

- GEN NOTES:
- NO PAINT ON PRODUCT CONTACT SURFACES (ESS-5100).
 - CAULKING REQ'D AT FLANGE CONNECTION - FIELD USE ONLY.
 - FILTER PERFORMANCE SPECIFICATIONS:
AIR VOLUME- 11000 SCFM
MEDIA AREA- 1555 SQ. FT.
AIR CLOTH RATIO- 7.07:1
CLEANING AIR- 20 CFM @ 80-100 PSIG
INTERSTITIAL VELOCITY- 172 FPM
 - EXPLOSION VENT CALCULATIONS ARE BASED ON CUSTOMER SUPPLIED Kst VALUE OF 87 bar m/s & Pmax VALUE OF 8.3 bar.
 - CUSTOMER IS RESPONSIBLE TO INSURE THAT THE EXPLOSION VENT EXHAUST IS DIRECTED TO A SAFE AREA.
 - INTERCONNECTING DUCTING TO BE SUPPORTED BY OTHERS.
 - WALKWAY, LADDER AND FALL ARREST SYSTEM ARE COMPLIANT TO CODE OF FEDERAL REGULATIONS 1910.28 (B)(9)(I)(B).
 - CONTINUOUS WELDS ON EXTERIOR ONLY.
 - CONTROLS ARE TO BE 120VAC MOUNTED IN A NEMA7 CONTROL BOX. SOLENOID VALVES TO OPERATE THE BLAST VALVES ARE NEMA7, 120VAC.
 - LINE NUMBERS:
ITEM 1 IS LN#3
ITEM 2 IS LN#1
ITEM 3 IS LN#5
ITEM 4 IS LN#6

REVISIONS			
REV	DESCRIPTION	REV BY	DATE
0-0	APPROVAL	SPB	1/11/2019
0-1	2ND APPROVAL - ROTATED AIR OUTLET 180°; ROTATED THE EXPLOSION VENT 90° CCW; PER CUSTOMER.	SPB	1/18/2019
0-2	3RD APPROVAL - ROTATED THE STRUCTURE 90° CW PER CUSTOMER.	SPB	2/11/2019
1-0	RELEASE	SPB	2/25/2019

UNLESS OTHERWISE SPECIFIED
ALL DIM ARE IN INCHES
ALL RIGHT ANGLES TO BE 90°
TOLERANCES
FRACTIONAL: ± 1/32"
ANGULAR: ± 1°
TWO PLACE DECIMAL: ± .03
THREE PLACE DECIMAL: ± .003
FOUR PLACE DECIMAL: ± .0005
INTERPRET DIM AND TOL PER ASME Y14.5M-2004

DRAWN BY: SPB 1/11/2019
CHECKED BY: HJW 1/11/2019

CUSTOMER: WEST COAST SEED MILL SUPPLY
ORDER NO.: 344259
LN NO.: 1,3,5,6

FINISH:

TITLE: VR132-10 w VJ14x10x10

SIZE: D DO NOT SCALE
SCALE: 1:48

DWG NO: 5-2511C
WEIGHT: 11871.6LBS.

REV: 1-0
SHEET 1 OF 1

KICE INDUSTRIES, INC.
5500 MILL HEIGHTS DR, WICHITA, KS 67219 USA