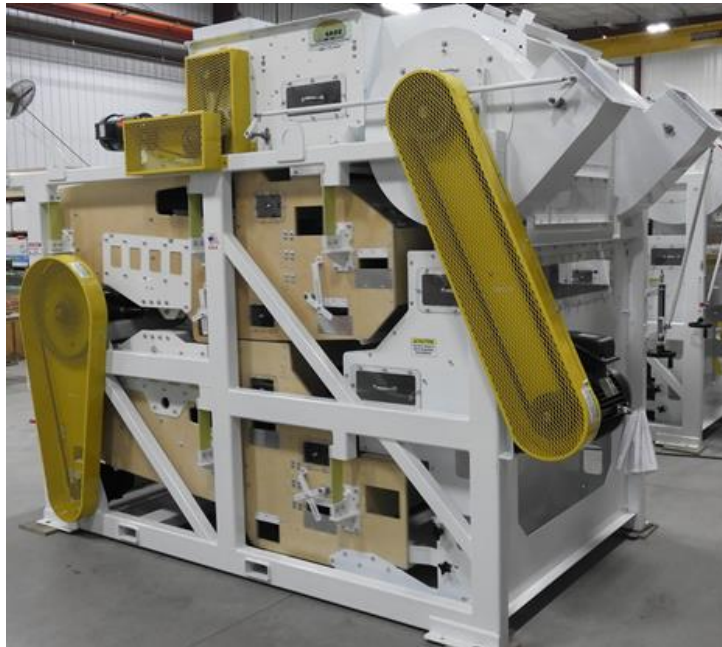




Quality Seed And Grain Equipment

Q-SAGE Air Screen Cleaner – *Easy Clipper Retrofit*



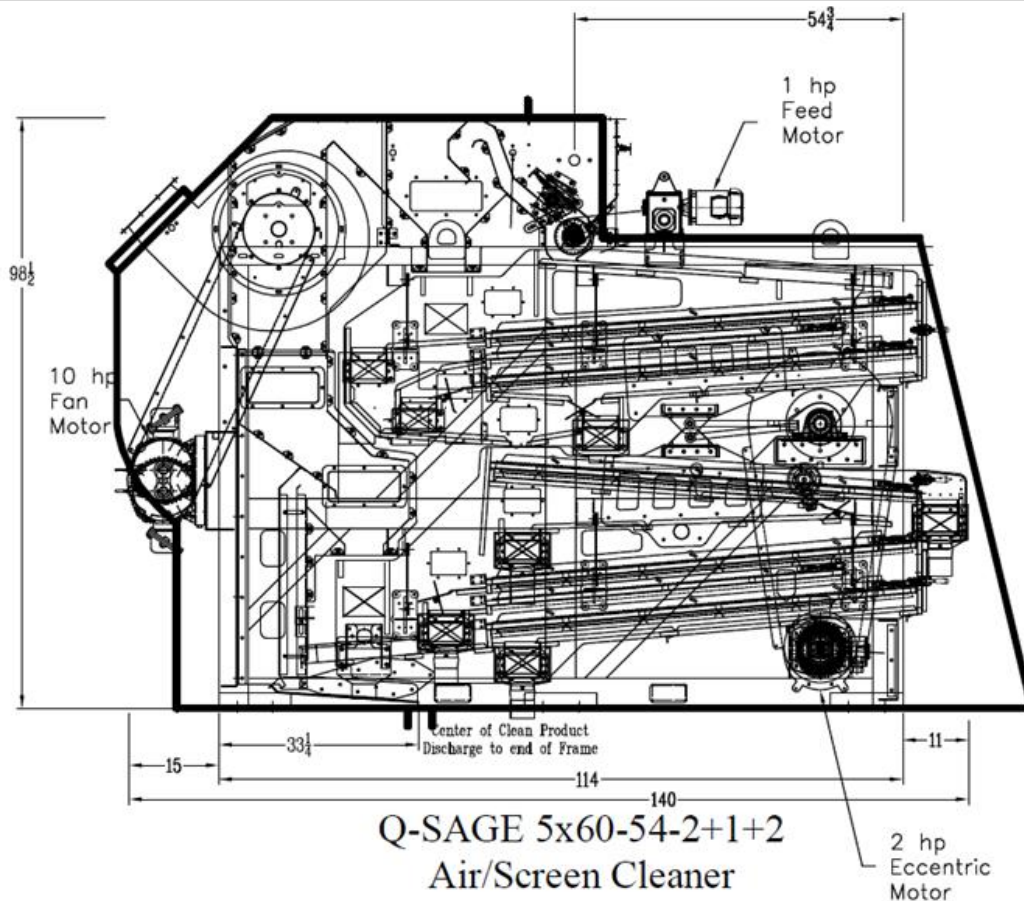
- Replace the Clipper 29D or 298D with an “easy fit” Q-SAGE Air Screen Cleaner upgrade featuring doubled capacity and updated modern flow options
- Available in screen widths of 42” (29D) and 54” (298D)
- The Q-SAGE unit matches the footprint and major spouting set-up of the aging Clipper 29D/298D – modern Q-SAGE unit slides into current processing line
- Matches existing in-plant inlet and good product discharge material flows
- No need to order new screens – your legacy Clipper screen inventory perfectly fits into the new Q-SAGE Air Screen Cleaner
- Enjoy the benefits of an effective seed cleaning and conditioning upgrade without the hassle of major plant revisions and reworking
- This retrofit option has provided great success for those that have made the swap
- Easy Access to screens for clean-out/screen changes
- Heavy Duty Eccentric Assembly with 1” stroke

2150 JBS Trail
Mt. Pleasant, MI, 48858
Phone: 989.775.2424



E-mail: info@q-sage.com
www.q-sage.com

Q-SAGE Retrofit of Clipper Air Screen Cleaners



- Above: Illustrating the New Q-SAGE 5 x 60 floor plan with bold lined Clipper 29D/298D side view image superimposed over the Q-SAGE Unit
- Footprint and major spouting will match Clipper unit precisely
- Retro-fitting the Q-SAGE unit makes the job of replacing the Clipper 29D/298D seamless
- Model Match-up/Screen Sizes
 - Q-SAGE 5x60-42 replaces 29D = 42" Wide x 60" Long
 - Q-SAGE 5x60-54 replaces 298D = 54" Wide x 60" Long

Modern Flow Options:

- Screen #1 = Fixed Scalp
- Screens #2, 3, & 4 = Scalp or Sift
- Screen #5 = Fixed Sift
- Screens #1 & 2 = Top Shoe - Parallel Flow (Split Flow Scalp, Scalp over Sift – or - Scalp over Scalp)
- Screen #3 = Bottom Shoe (Return Screen) Scalp or Sift
- Screens #4 & 5 = Bottom Shoe - Parallel Flow (2-way Split Flow Sift - or - Scalp over Sift)



Quality Seed And Grain Equipment