



# ECONOMICAL BAGGING SCALE

## MODEL OM2 SERIES

The OM2 Series scale utilizes Magnum Systems' patented beam scale and is self dampening, and the weight pointer and calibration adjustment are located directly on the beam. The OM2 Series flow control regulates the speed of material going through the scale. The series includes both manual mechanical and automatic air/electric models.

### SIMPLE AND ACCURATE GRAVITY WEIGH SCALE

#### Features

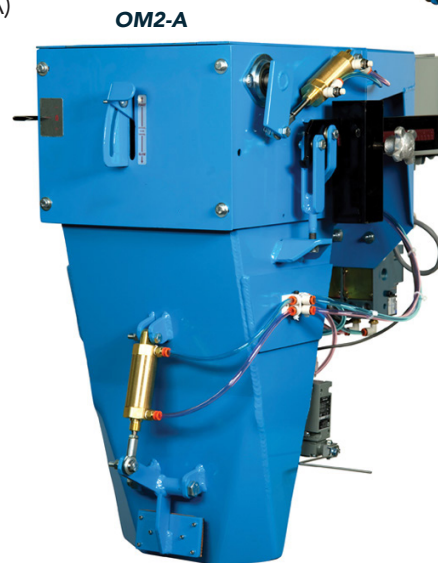
- Mechanical Beam Scale Operation
- Concentric bag clamp for positive grip (OM2)
- Pneumatic bag clamp with auto bag release (OM2A)
- Adjustable flow gate

#### Optional Features

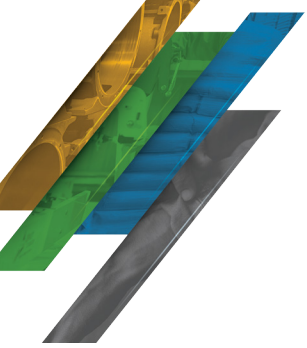
- Stainless steel construction
- Shock absorber
- Belt feeder
- Valve bag adapter
- Downstream sealing, conveying and palletizing equipment

#### Materials Typically Handled

- Wheat
- Feed Mixes
- Granular Fertilizer
- Cracked Corn
- Deer Corn Mixes



Engineering, Design & Manufacturing  
to Keep the Line Moving



# ELECTRONIC BAGGING SCALE

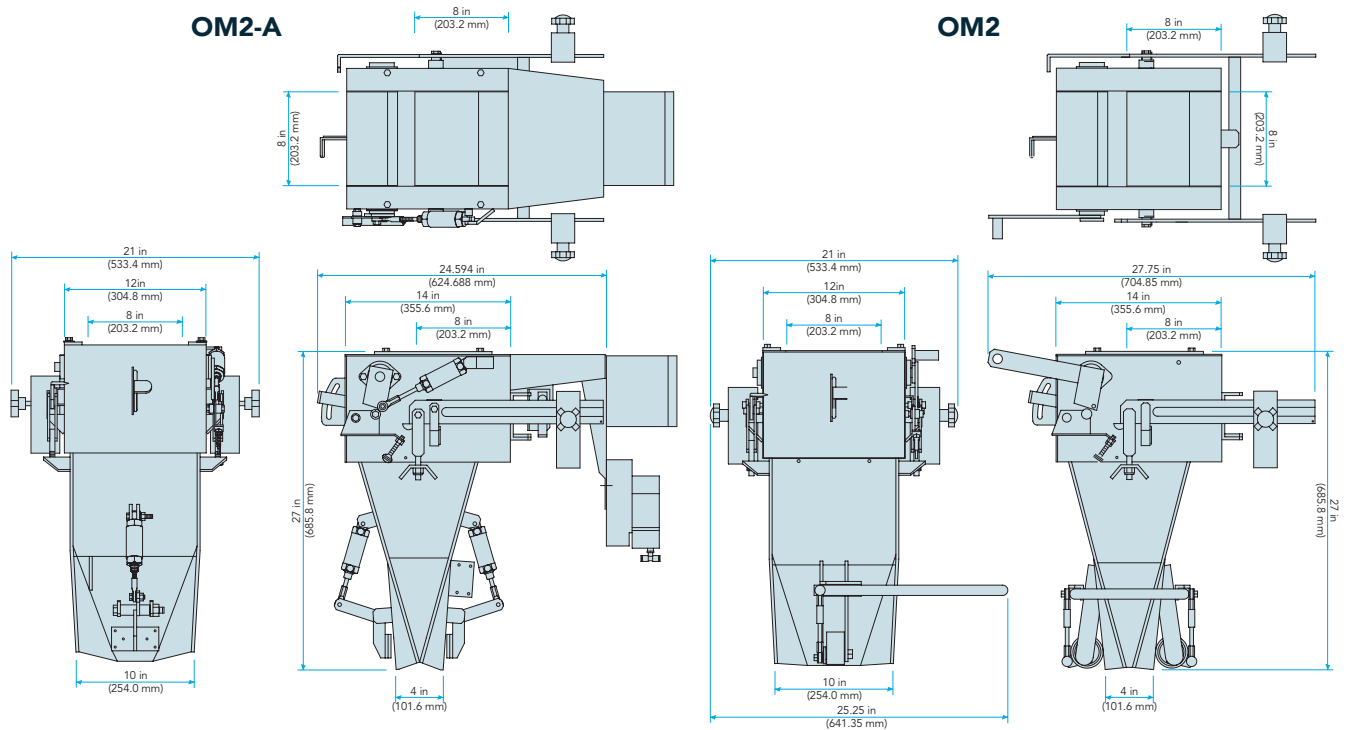


Diagram dimensions are for reference only\*

## SPECIFICATIONS

Speed	Up to 12 BPM
Accuracy	± 0.5 lbs
Weight Range	15 to 125 lb (6.8 kg to 56 kg) <i>Weight range is dependent on product's bulk density. Free product testing recommended.*</i>
Configuration	Gross & Net-Weigh (Net-Weigh configuration requires an optional weigh bucket)
Construction	Carbon Steel Blasted & Painted
Electrical Requirements	115 Volt, single phase (OM2-A ONLY)
Air Requirements	100 PSI (6.29 BAR), 2 CFM (OM2-A ONLY)

## OM2 SYSTEM EXAMPLE



©2017 Magnum Systems, Inc. All rights reserved. Catalog number MS.1034.0917



[www.magnumsystems.com](http://www.magnumsystems.com)

Toll Free 888.882.9567 Fax 620.421.5531

Corporate 2205 Jothi Avenue, Parsons, Kansas 67357