

SERIES

**A**

A-234

A-342

A-334

A-254

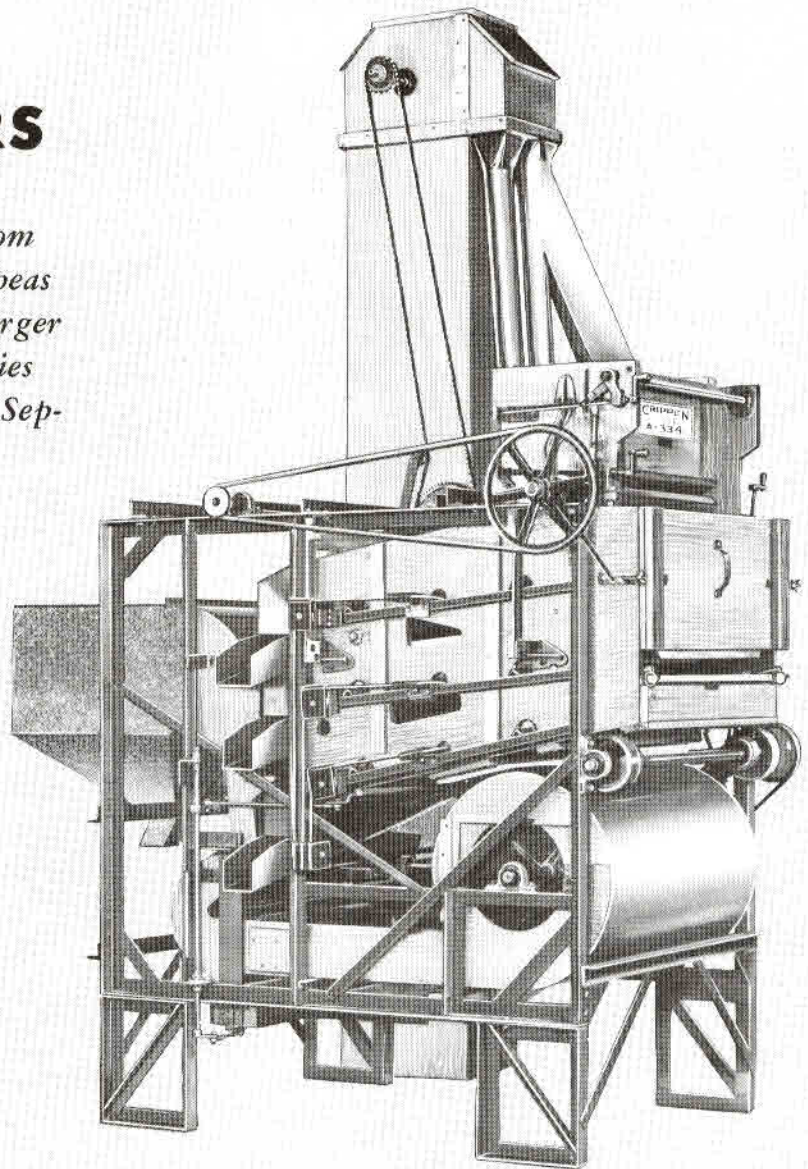
A-242

A-354

# CRIPPEN

## SEED CLEANERS

*for general, specialized or custom cleaning of seed, grain, beans, peas and for supplementing other larger equipment. The Crippen A-Series features a patented Crippen Air Separation System.*



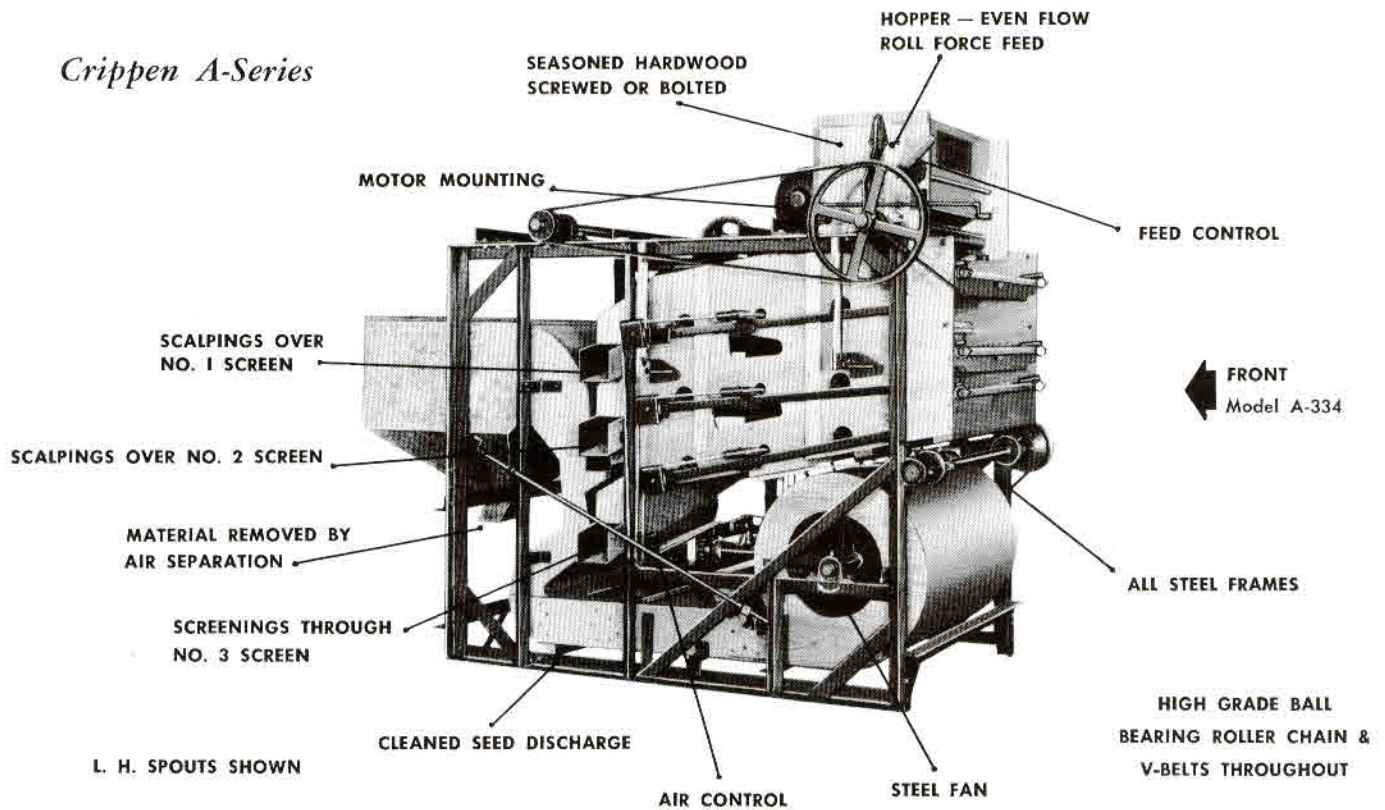
Model A-334 with elevator



**CRIPPEN** MANUFACTURING COMPANY, INC. • Alma, Michigan, U.S.A.

GRAIN, BEAN AND SEED CLEANERS, SEPARATORS, SCALPERS, GRADERS AND POLISHERS

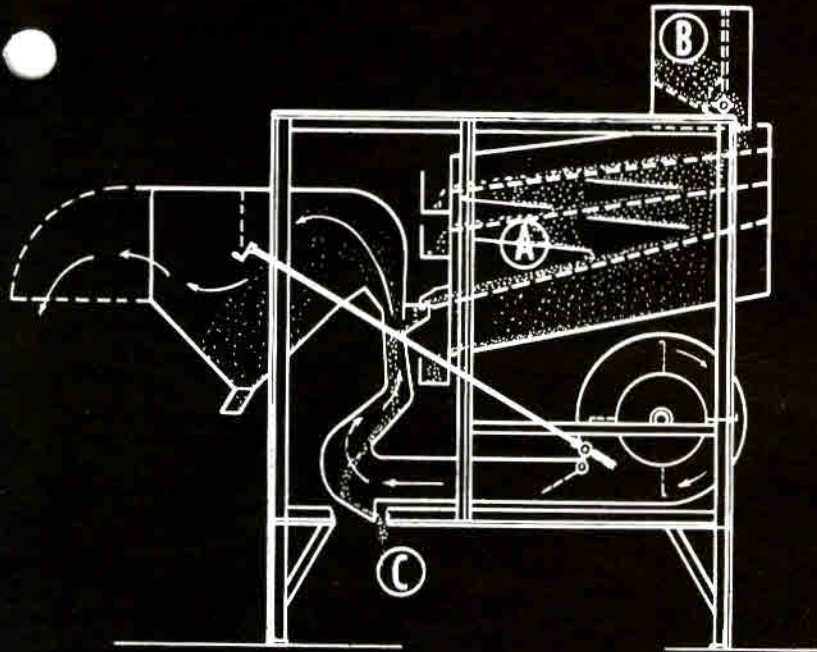
*Crippen A-Series*



rippen Series A Cleaners are designed for use as two or three screen cleaners on all kinds of seed, grain, beans, peas, corn, etc. *All six models in the series feature a patented Crippen Air Separation System which removes light impurities after the product has been brought to uniform size by the screening process.*

The general construction and operation of the two screen and three screen models are similar. The first scalper on the three screen model removes the largest trash, and relieves the second scalper screen of this trash to provide more capacity and closer screening. In grading work, one more size can be obtained with this screen. *In each model, all screens are interchangeable.*

All Crippen Cleaners are constructed with welded steel frames. All shafts turn in precision ball bearings and are driven with V-belts or roller chain. The hardwood bodies are screwed and bolted for greatest strength. Wearing surfaces are metal covered and all spouts are inclined for self-cleaning. Crippen Cleaners can be easily dismantled and reassembled for passage through narrow openings — and can be supplied as a "package unit" ready for operation with a dual elevator driven from the machine. Crippen accessories are described on the back of this folder.



*Shown is a Flow Diagram of a 3-screen model. Construction and operation of the two and three screen models are similar. Return pans (A) between the screens gives tandem flow to consecutive screens and provides more useful screening area. Commodity is shown entering cleaner hopper (B) with clean seed (C) discharging below.*

**HOPPERS — Type A** — Used to feed the smallest kinds of seed as well as grain, beans, corn, etc., containing pods, cob particles, sticks, straw or other foreign material. These hoppers will not become plugged or flood the screens when passing coarse material, and will feed the commodity to the screens in a constant, even flow. A clutch is provided on the feed roll for instant shut-off. **TYPE B** — provided with spiked feed roll for feeding undelinted cotton seed and other trashy kinds of seed. This hopper can be supplied as an interchangeable or auxiliary unit. **TYPE C** — Special hopper for feeding the light weight grass seeds such as Ryegrass, Bent, Fescue and Brome. It is especially valuable for feeding grass seeds containing Rattail Fescue, etc.

**SCREENS** — All Crippen Cleaner Screens are easily visible and interchangeable from the front of the machine. Screens slide in and out over two full length cleaning brushes. Series A Screens can be interchanged with Crippen Series H Screens. Exceptionally close screening is made possible by the variable speed of the screen shake, which is standard equipment on these Crippen Cleaners. Speed can be easily changed while the machine is in operation, enabling the operator to adjust the screening action to obtain accurate separation at greatest capacity on all conditions and varieties of seed, grain and beans. *Eight screens of the customers choice are included with each cleaner.* Additional screens are available from our large stock of perforated and wire screens.

**SCREEN FRAMES** — Screen frames rest on steel angle ways and are instantly fastened in place or released by full-length clamps on both edges of each screen. In addition to holding the screens in place, these clamps also prevent seed from running down edges or missing the screen surface.

**BRUSHES** — Under each screen are two brushes carried on four rollers, with pre-lubricated bearings, *running on two tracks.* The fibres in these steel-back brushes are crimp-locked and form a solid brush the full length of each section. They cannot warp or sag away

from the screens. Brushes are not disturbed when screens are changed — the only adjustment required is for the normal wear of the fibre. This adjustment can be made easily and quickly at any or all of the four track ends. All shafts are carried on ball bearings. Hardened steel roller chain on the crosshead pulls the two brushes under each screen. The wide screen clamps and simple method of brushcord adjustment eliminates plugging of the screens along the edges.

**PATENTED AIR SEPARATION** — The Air Separation System on Crippen Series A Cleaners is patented and *should not be confused with other cleaners using the ordinary type of blower fans.* The many unique features of this system provide precise separation. The fan used on these models runs at constant speed. Air control and lift variations are easily made by turning a crank connected to a gate at the fan outlet. The air flow is equalized across the full width of the flue and is directed to a converging chamber built with an "S" turn. The turn directs the highest velocity of air flow to a point where the seed enters the separating chamber from the screening system. Heavy and light seed or grain are lifted into an expanding chamber for separation of light seed and foreign material from the heavier product of higher quality. The dust and lighter material removed by the air separation is carried to a release chamber. Here the lighter material separates from the dust and flows from a self-cleaning spout. Samples can be easily inspected for any adjustment of the air control to make the accurate separations that are possible with these cleaners.

**SCREENINGS SPOUTS** — Screenings spouts can deliver to *either the right side or to the left side when facing the machine from the front* where the screens are changed. All screenings spouts vibrate with the screens, and are inclined for complete self-cleaning. Air discharge is toward the rear of the cleaner.

**MOTORS** — Crippen Seed Cleaners require low horsepower and can be furnished with either electric motors or gasoline engines. For quotation, specify cycle, phase, voltage, and type of motor or engine desired.

# ACCESSORIES

*Installations are easy with Crippen Accessories!*

## DUAL ELEVATORS

Dual Elevators can be driven from the cleaner. One side of the Dual Elevator feeds the commodity to the cleaner and is equipped with a 24"x24" dump hopper, shut-off slide and an overflow pipe to prevent plugging.

A vibrating spout delivers the cleaned product to the other side of the elevator for bagging or for spouting to auxiliary equipment such as a seed treater.

Above-the-floor installation of the 34" models requires a Dual Elevator of 11½ feet over-all height for spouting directly from the intake ele-

vator to the cleaner hopper. This type of installation requires only 1½ HP for both the cleaner and the dual elevator. Elevators of greater height are available for through-the-floor installations or for bins above the cleaner.

## STEEL FRAME RAISERS

Steel Frame Raisers can be furnished for above-the-floor installations.

## VIBRATING CROSS SPOUTS

Vibrating Cross Spouts can be supplied for bringing cleaned seed to the side of the machine or for feeding cleaned seed to the elevator.

## SPECIFICATIONS

2 Screen Models in Series A Seed Cleaners		<b>A-234</b>	<b>A-242</b>	<b>A-254</b>
Shipping weight (approx. lbs.) 2 Screen Series A		1300	1550	1780
3 Screen Models in Series A Seed Cleaners		<b>A-334</b>	<b>A-342</b>	<b>A-354</b>
Shipping weight (approx. lbs.) 3 Screen Series A		1480	1750	1980
Screen Frame Size		34" x 44"	42" x 44"	54" x 44"
Average Capacity Bushels/Hr.	(1) Small Seeds	25 to 50	40 to 80	75 to 100
	(2) Beans, Peas, Seed Grain	50 to 100	75 to 150	125 to 200
	(3) Grain, Soy Beans	75 to 150	100 to 250	200 to 400
O.A. Height (Hopper Intake) 2 screen models		62"	62"	62"
O.A. Height (Hopper Intake) 3 screen models		70½"	70½"	70½"
O.A. Length (2 & 3 screen models)		85"	85"	85"
O.A. Width (2 & 3 screen models)		57"	65"	77"
Machine Frame (2 & 3 screen models) O.A. Width		44½"	52½"	64½"
Main Drive Speed (Fan Shaft) R.P.M.		650	850	850
Horsepower Required		1	2	3

The crated shipping weight of the 11½ Ft. Dual Elevator for the 34" models is approximately 550 lbs.



**CRIPPEN** MANUFACTURING COMPANY, INC. • Alma, Michigan, U.S.A.

GRAIN, BEAN AND SEED CLEANERS, SEPARATORS, SCALPERS, GRADERS AND POLISHERS