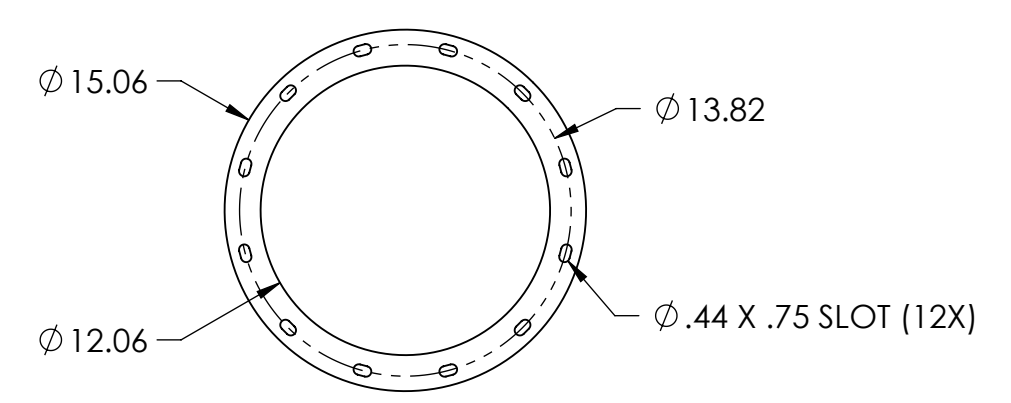
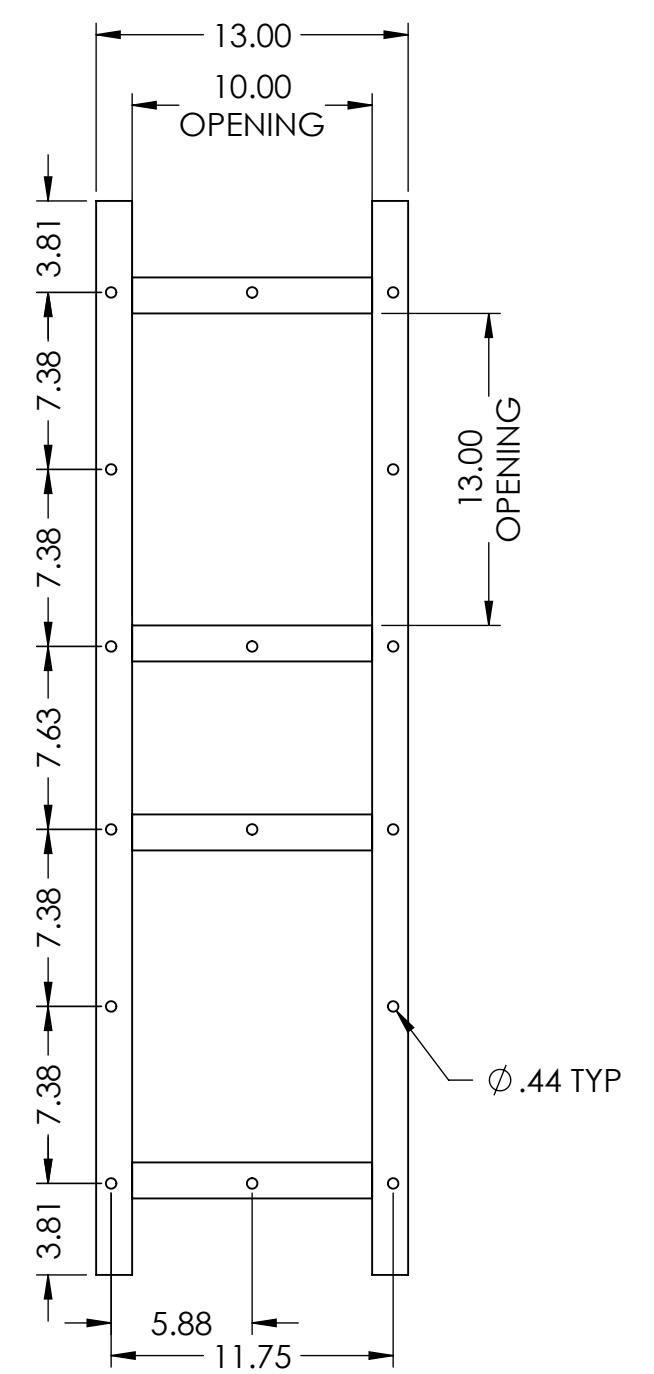
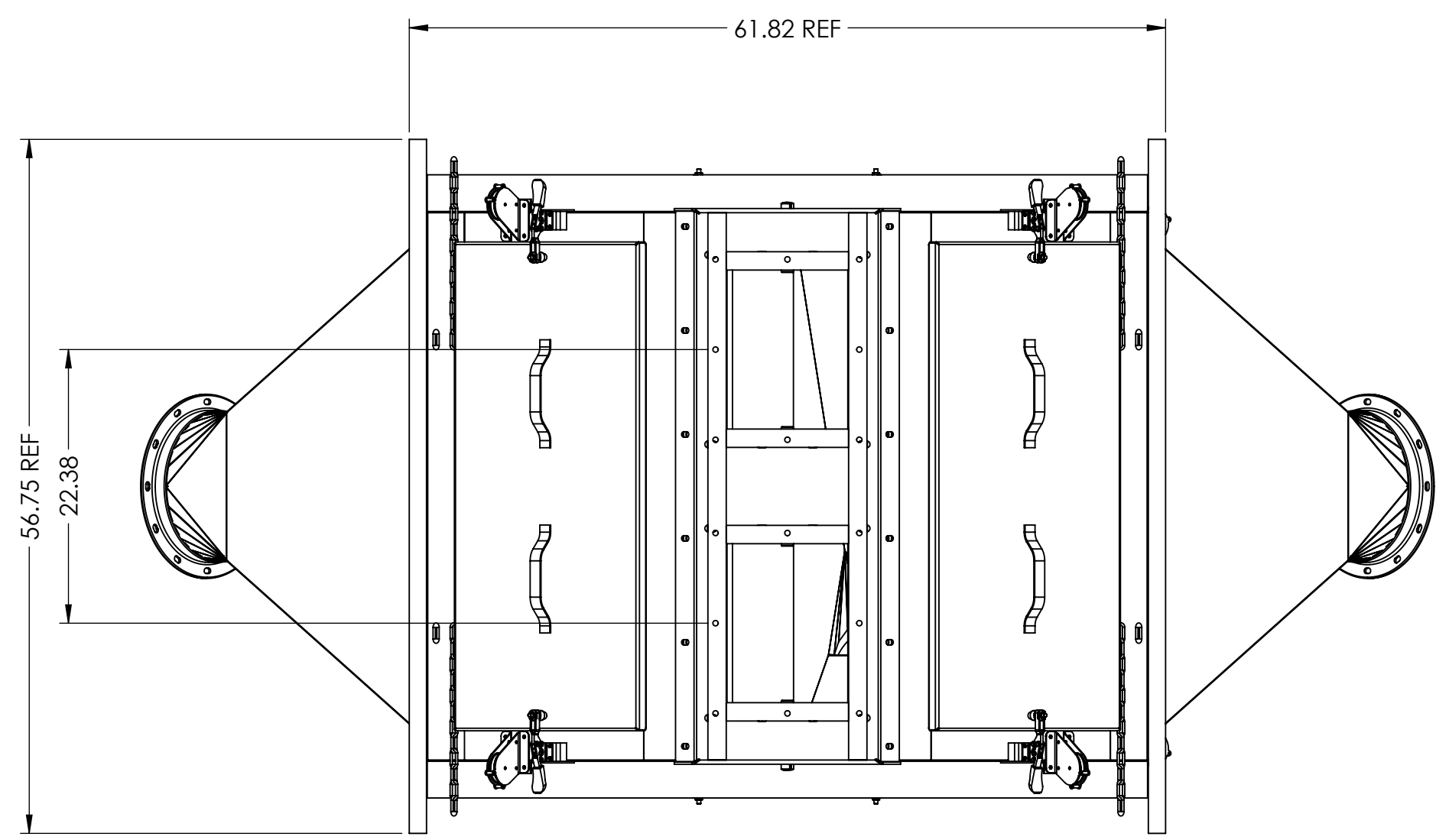


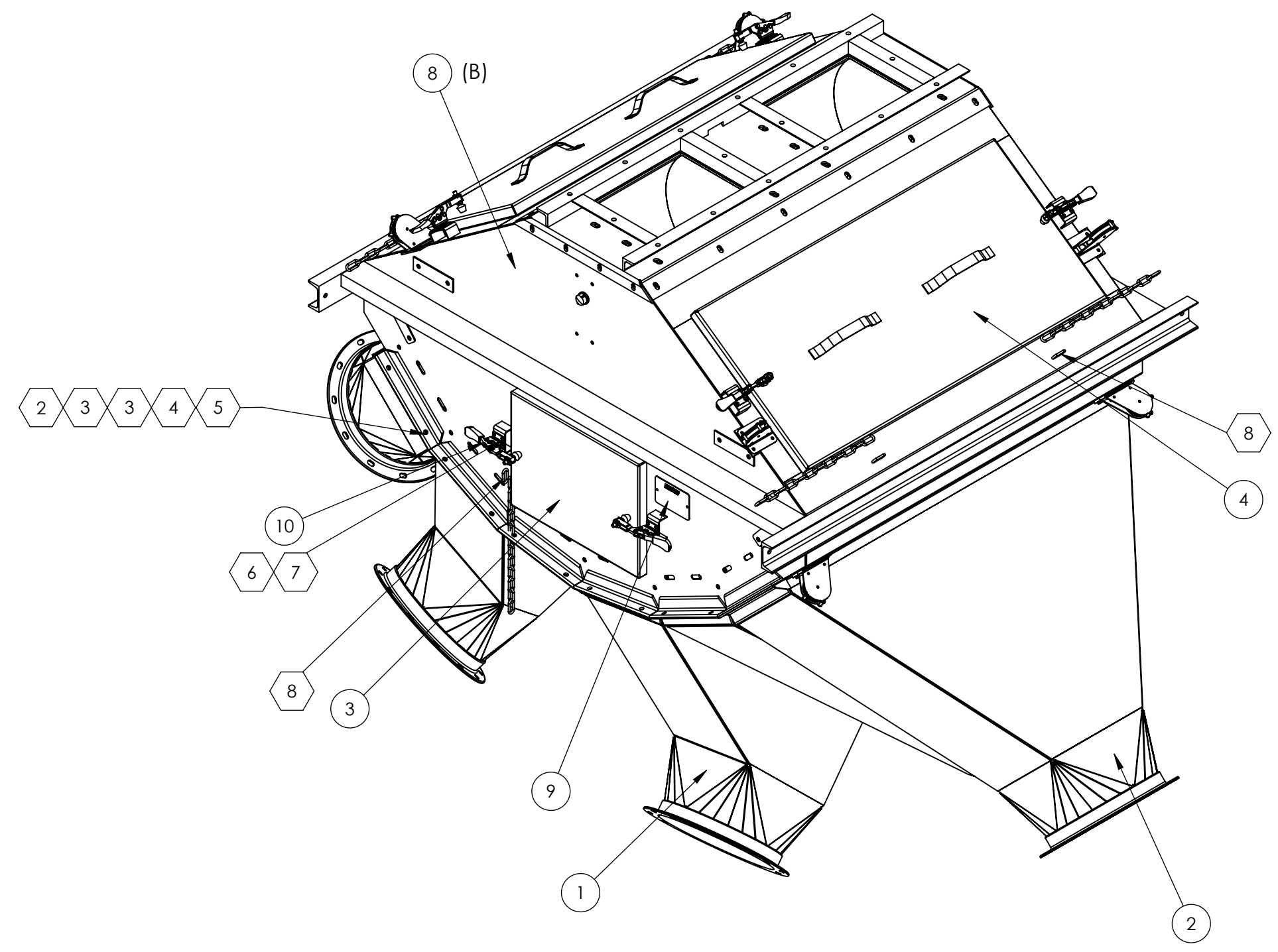
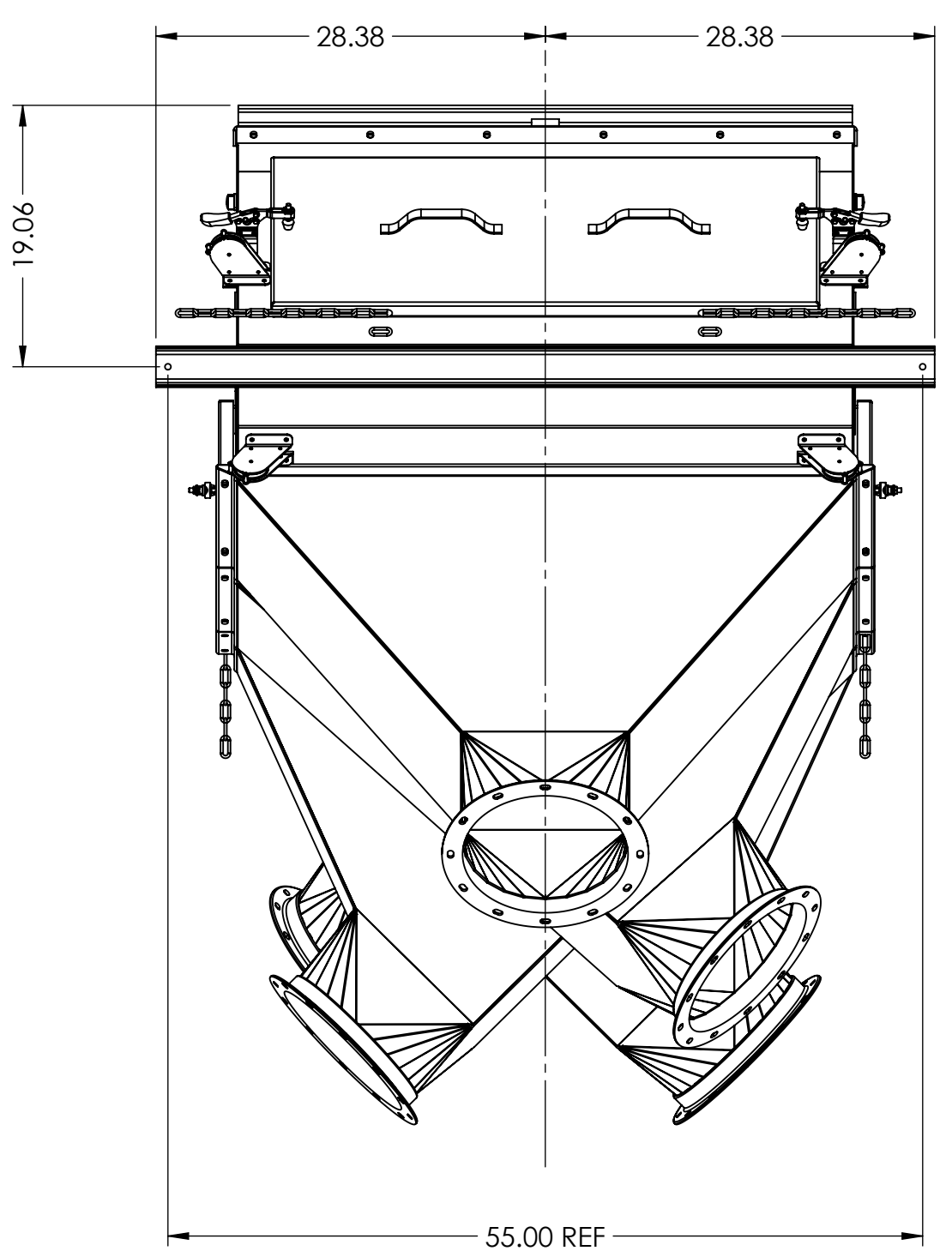
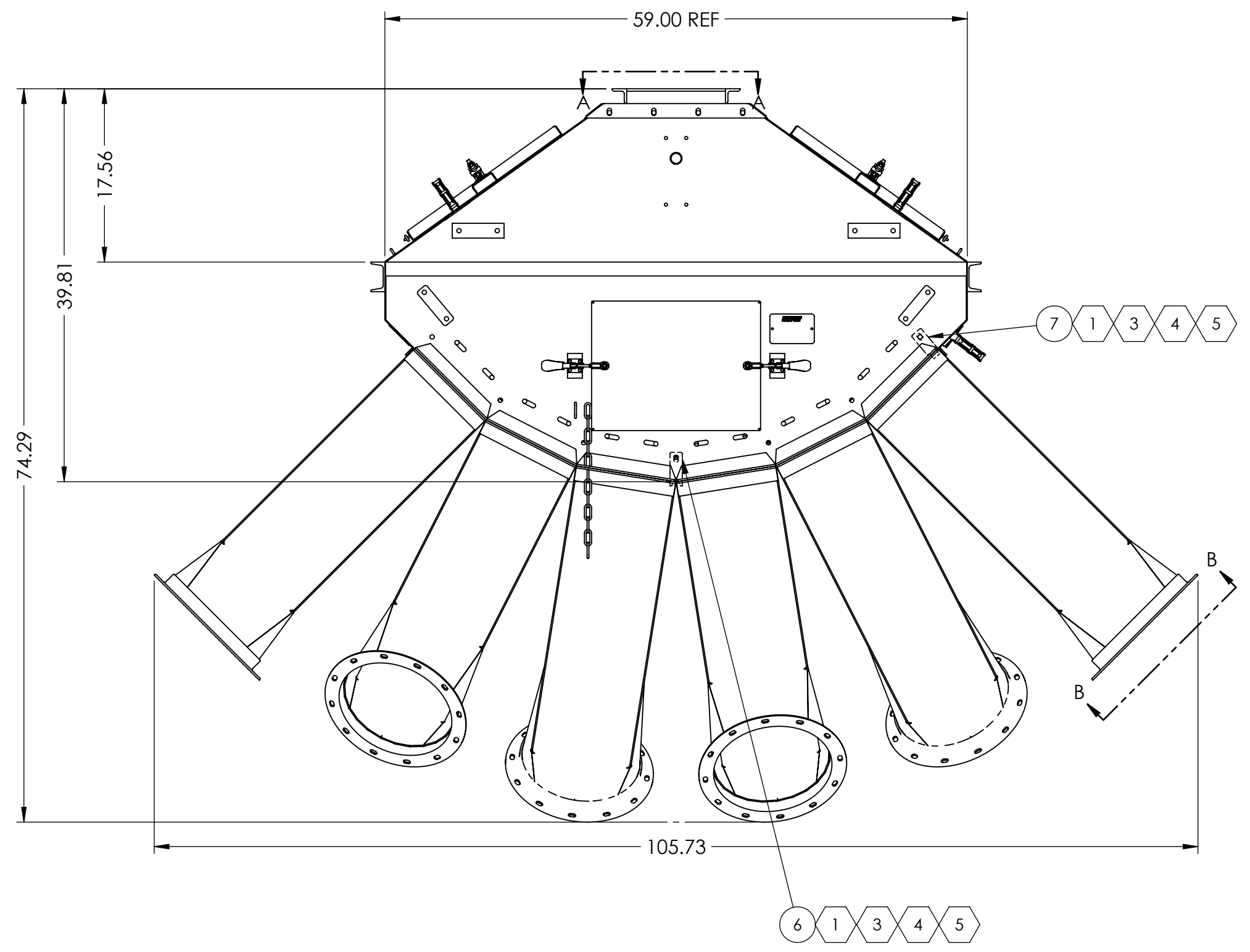
| ITEM | QTY | DESCRIPTION  | PART #     |
|------|-----|--|------------|
| 1    | 4   | WLD - HD OFFSET DUCT - SF6D12G - 10ga AR                           | 401-2-0953 |
| 2    | 2   | WLD - HD STRAIGHT DUCT - SF6D12G - 10ga AR                         | 401-2-0954 |
| 3    | 2   | WLD - INSPECTION DOOR 12 X 16 SWING-FLO                            | 401-2-1390 |
| 4    | 2   | WLD - ACCESS DOOR - SWING-FLO - 18 X 39-1/4                        | 401-2-1555 |
| 5    | 1   | ASSY - MANUAL CONTROL KIT - SF6D12-14GM - (STANDARD 75' OPERATION) | 401-2-2144 |
| 6    | 5   | WLD - DUCT FILLER STRIP - SF6D12                                   | 401-2-2563 |
| 7    | 2   | WLD - DUCT FILLER STRIP - END - SF6D12                             | 401-2-2564 |
| 8    | 1   | ASSY - DISTRIBUTOR HOUSING - SF6D12GM - 7ga AR SPOUTS              | 401-2-2648 |
| 9    | 1   | SS SHT - SERIAL TAG - SF6D12GE - 408104-1-1                        | 401-3-6195 |
| 10   | 8   | CLAMP, 225U DESTACO  | 621-0-0074 |

| HARDWARE |     |                                       |            |
|----------|-----|---------------------------------------|------------|
| ITEM     | QTY | DESCRIPTION                           | PART #     |
| 1        | 14  | HEX BOLT 3/8 X 1                      | HB06C1605  |
| 2        | 24  | HEX BOLT 3/8 X 1-1/4                  | HB06C2005  |
| 3        | 62  | FLAT WASHER 3/8                       | FW06       |
| 4        | 38  | LOCK WASHER 3/8                       | LW06       |
| 5        | 38  | HEX NUT 3/8                           | HN06C      |
| 6        | 32  | HEX BOLT 1/4 X 3/4                    | HB04C1605  |
| 7        | 32  | SERRATED FLANGED NUT 1/4              | ZN04C      |
| 8        | 6   | 3/16" THREADED CONNECTOR (QUICK LINK) | 607-0-0053 |



SECTION A-A  
INLET FLANGE DETAIL  
SCALE 1 : 8

SECTION B-B  
DISCHARGE FLANGE DETAIL  
SCALE 1 : 8



- SPECIFICATIONS:**  
 RAPAT MODEL SF6D12GM-HD SWING-FLO DISTRIBUTOR:  
 1. 6 DUCT DOUBLE 12' GRAIN TYPE MANUAL SWING-FLO  
 2. HEAVY DUTY STEEL CONSTRUCTION, INNER SPOUTS FABRICATED WITH 7 GA. AR STEEL, ANGLE FLANGED OUTLET DUCTS FABRICATED WITH 10 GA. AR STEEL  
 3. (2) STRAIGHT OUT STYLE OUTLET DUCTS AND (4) OFFSET STYLE OUTLET DUCTS - STRAIGHT OUT STYLE MUST BE PLACED ON ENDS OF MAIN BODY  
 4. FINISH TO BE COMBINATION OF POWDER COAT AND INDUSTRIAL GRAY POLYURETHANE (619-0-0079/619-0-0040)  
 5. WINDLASS CONTROL W/POSITION INDICATOR BELTS & CHAINS  
 6. CABLE, CLAMPS, AND PULLEYS FOR 75 FEET OF OPERATION

| REV | DATE     | BY  | DESCRIPTION        |
|-----|----------|-----|--------------------|
| B   | 10-03-23 | SPS | UPDATED 401-2-2648 |
| A   | 06-12-23 | MDL | RELEASE            |

|   |   |   |  |
|---|---|---|--|
| <b>RAPAT CORPORATION</b><br>The Rapat Corporation<br>Hawley Industrial Park<br>Hawley, Minnesota 56549<br>218-483-3344  |   | TITLE: SF6D12GM-HD SWING-FLO DISTRIBUTOR  |  |
| UNLESS OTHERWISE SPECIFIED DIMENSIONS ARE IN INCHES AND DECIMALS THEREOF.   |   | DO NOT SCALE DRAWING  |  |
| This drawing and all designs, details, inventions and developments covered thereby, are confidential and the exclusive property of the RAPAT CORPORATION, which reserves all patent and other rights. Copying, or reproduction, is forbidden unless expressly authorized by the RAPAT CORPORATION. This drawing and all copies shall be returned when requested, and may be used subject to the above conditions. |   | DATE: 06-12-23<br>SCALE: 1:12<br>DRAWN BY: MDL<br>DESIGNED BY: MDL<br>CHECKED BY: |  |
| FINISH: NONE<br>JOB NUMBER: 408104-1-1  | MATERIAL: Material <not specified><br>SIZE: D<br>SHEET NUMBER: 1 OF 1 | DRAWING NUMBER: 401-1-0791  |  |

DWG NUMBER  
401-1-0791