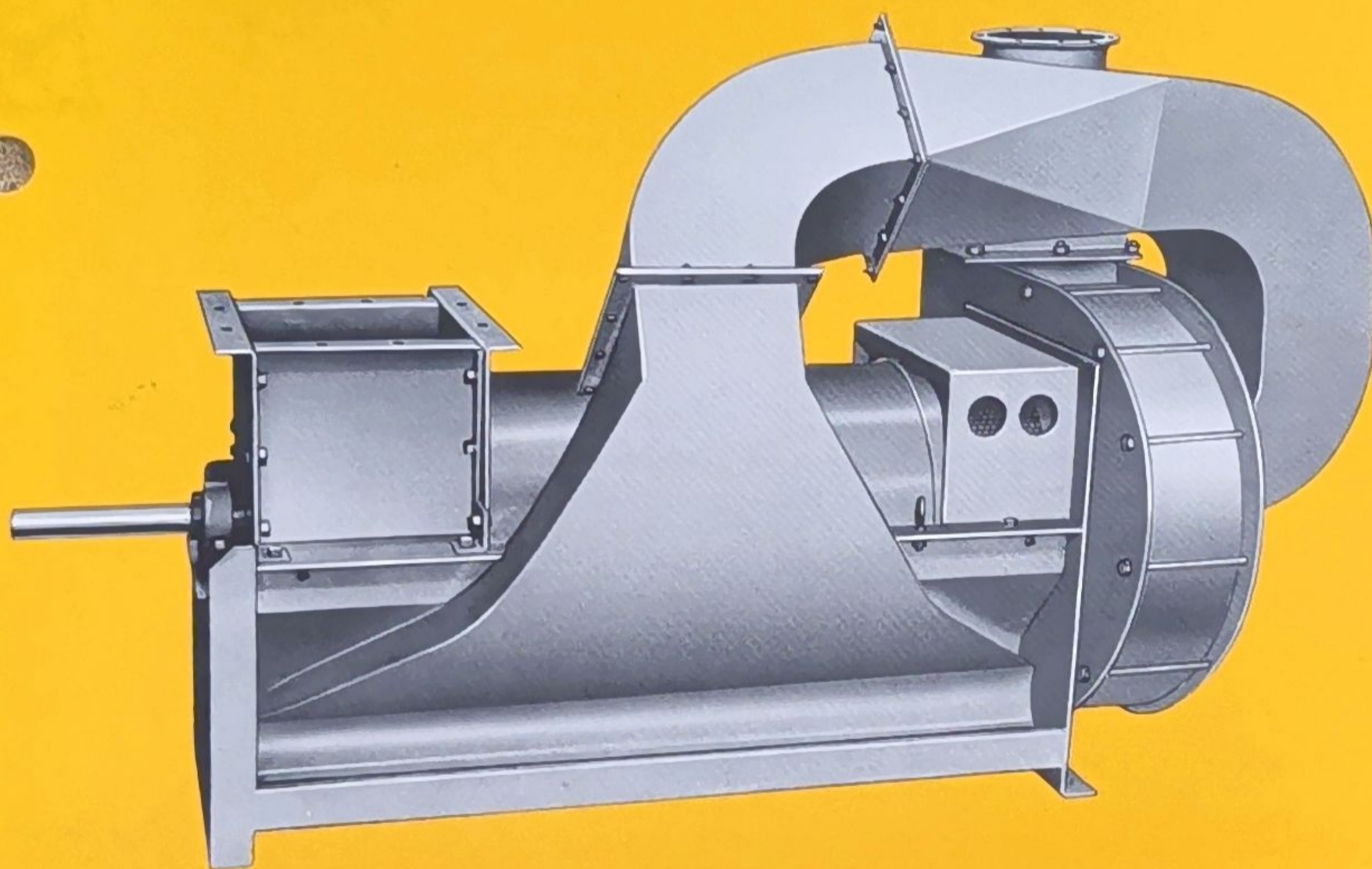
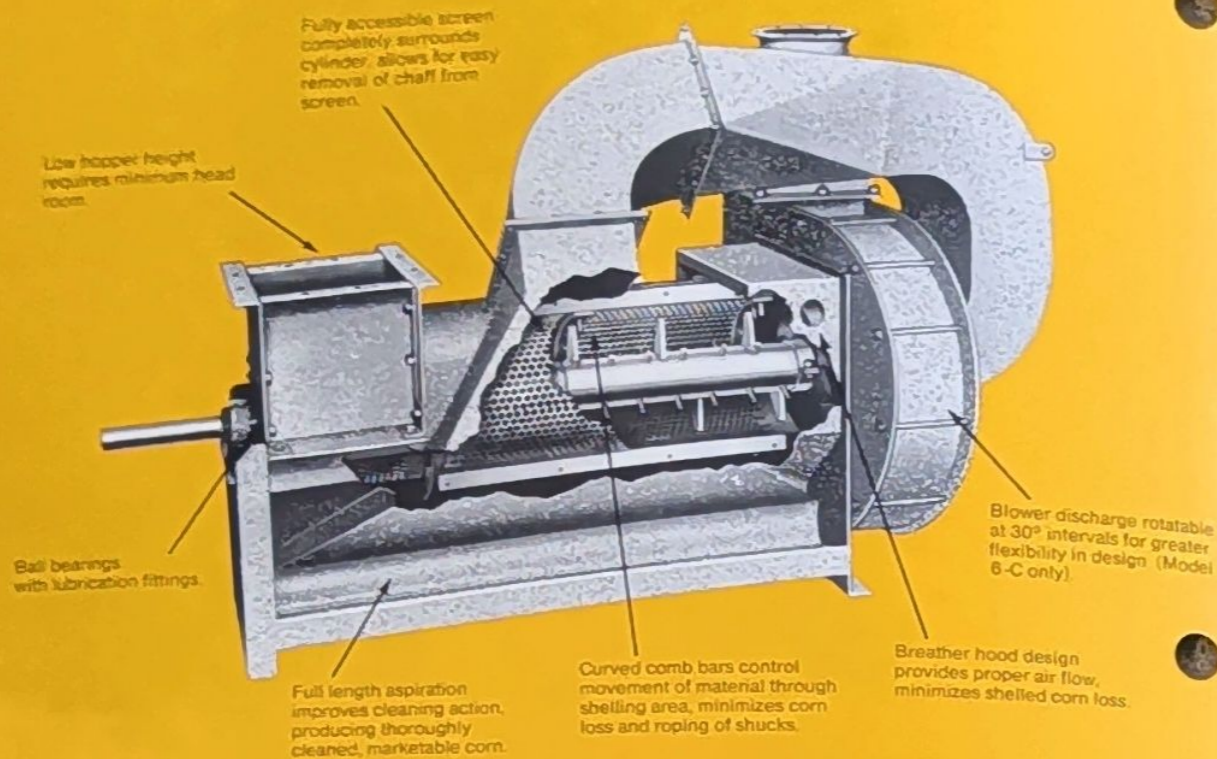


EhrsamTM TriumphTM Corn Husker-Sheller



Single Drive Models:

for shelling, cleaning and cob blowing



Model 3-C specifications and dimensions

* Capacity—up to 400 bushels (70 lb. bu.) per hour

Power Required	10-15 h.p.
* Speed of Operation	1000-1100 RPM
Diameter of Main Shaft	1 7/16"
Diameter of Cob Pipe	8"
Maximum Length of Cob Pipe	100'
Maximum Vertical Cob Pipe	45'
Height to Top of Ear Corn Hopper	2' 8 1/4"
Overall Height	4' 0"
Overall Width	3' 2"
Overall Length	6' 3"
Domestic Shipping Weight	1150 lbs.

*Capacity and speed shown is for commercial shelling only. For seed corn, contact C-E Raymond.

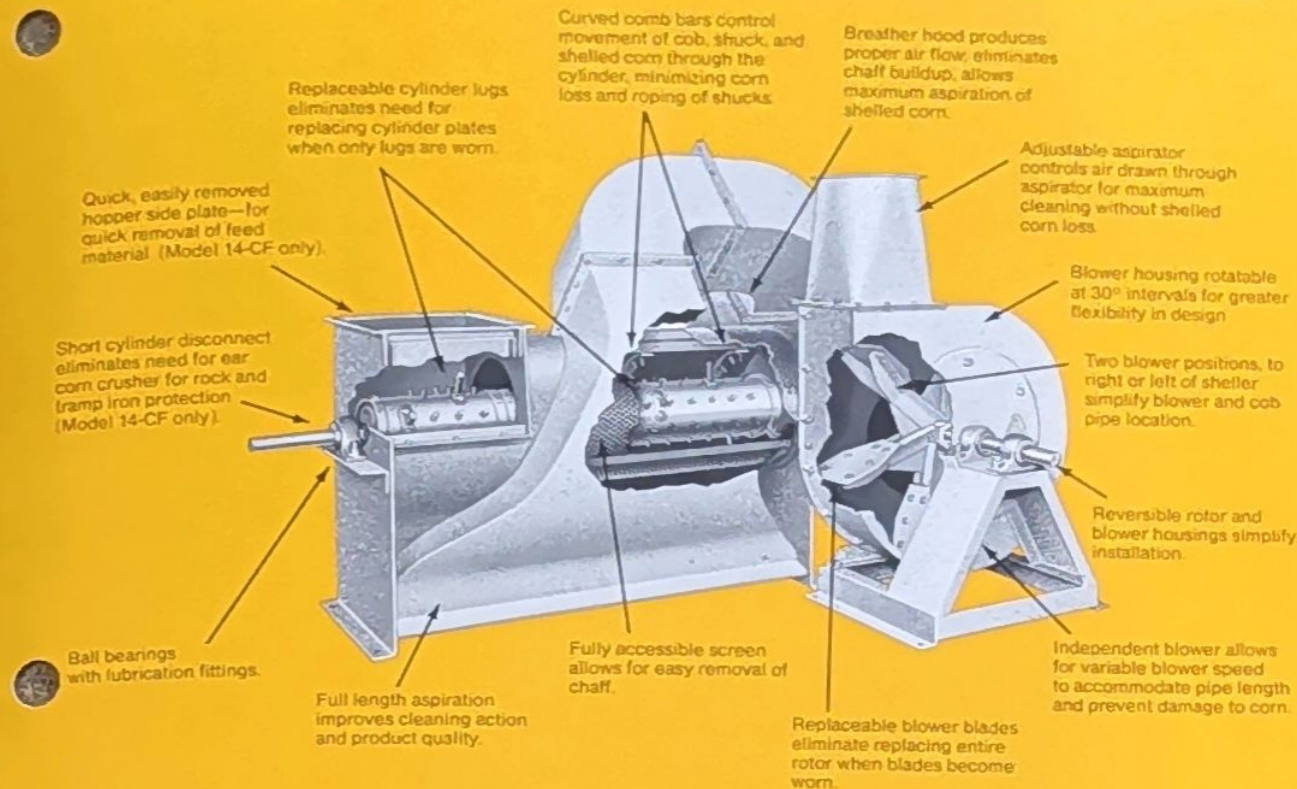
Model 6-C specifications and dimensions

* Capacity—up to 750 bushels (70 lb. bu.) per hour

Power Required	20-25 h.p.
* Speed of Operation	900-1000 RPM
Diameter of Main Shaft	2 3/16"
Diameter of Cob Pipe	10"
Maximum Length of Cob Pipe	100'
Maximum Vertical Cob Pipe	50'
Height to Top of Ear Corn Hopper	2' 11"
Overall Height	4' 9 1/2"
Overall Width	3' 2 3/4"
Overall Length	8' 3 1/4"
Domestic Shipping Weight	1600 lbs.

Dual Drive Models:

for seed corn processing



Model 6-CF specifications and dimensions

Capacity—up to 450 bushels (70 lb. bu.) per hour

SHELLER	
Power Required	15 h.p.
Cylinder Speed	450-600 RPM
Cylinder Shaft Diameter	2 3/16"
Overall Length	8' 3 5/8"
Overall Width	5' 11 3/4"
Overall Height	4' 6 3/4"
Height to Top of Hopper	2' 11"
Shipping Weight	1600 lbs.
BLOWER	
Shaft Diameter	2 3/16"
Pipe Diameter	10"
Overall Length	2' 3 5/8"
Overall Width	3' 2 3/4"
Overall Height	3' 3"
Shipping Weight	470 lbs.

Model 14-CF specifications and dimensions

* Capacity—up to 1700 bushels (70 lb. bu.) per hour

SHELLER	
Power Required	40-50 h.p.
* Cylinder Speed	700-760 RPM
Cylinder Shaft Diameter	2 7/16"
Overall Length	10' 0"
Overall Width	6' 7"
Overall Height	6' 2"
Height to Top of Hopper	3' 9"
Shipping Weight	2700 lbs.
BLOWER	
Shaft Diameter	2 7/16"
Pipe Diameter	14"
Overall Length	2' 11"
Overall Width	3' 10"
Overall Height	4' 2"
Shipping Weight	970 lbs.

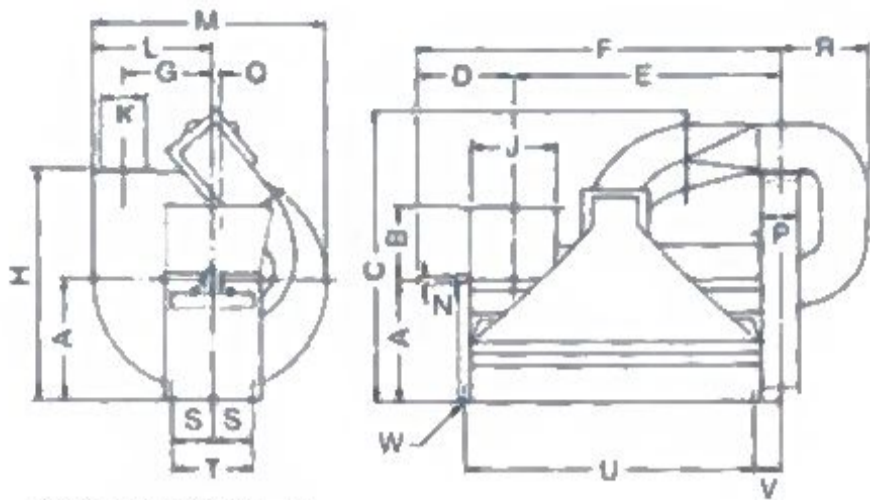
Fan RPM and horsepower requirements for given cob pipe lengths.

Pipe Length (ft.)	80 to 100	100 to 120	120 to 135	135 to 150	150 to 170	170 to 190	190 to 220
Fan RPM	1000	1048	1101	1151	1199	1250	1326
HP Required	20	20	25	30	30	40	50

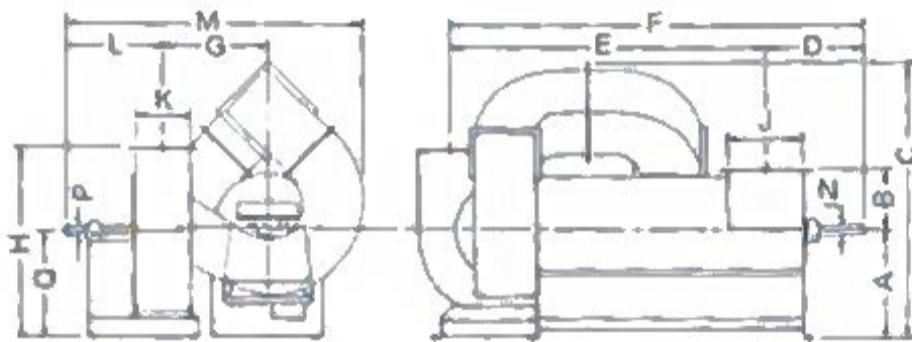
Pipe Length (ft.)	80 to 100	100 to 135	135 to 155	155 to 180	180 to 210	210 to 270	270 to 350
Fan RPM	875	941	987	1038	1094	1203	1326
HP Required	20	25	30	30	40	50	60

*Capacity and speed shown is for commercial shelling only. For seed corn, contact C-E Raymond.

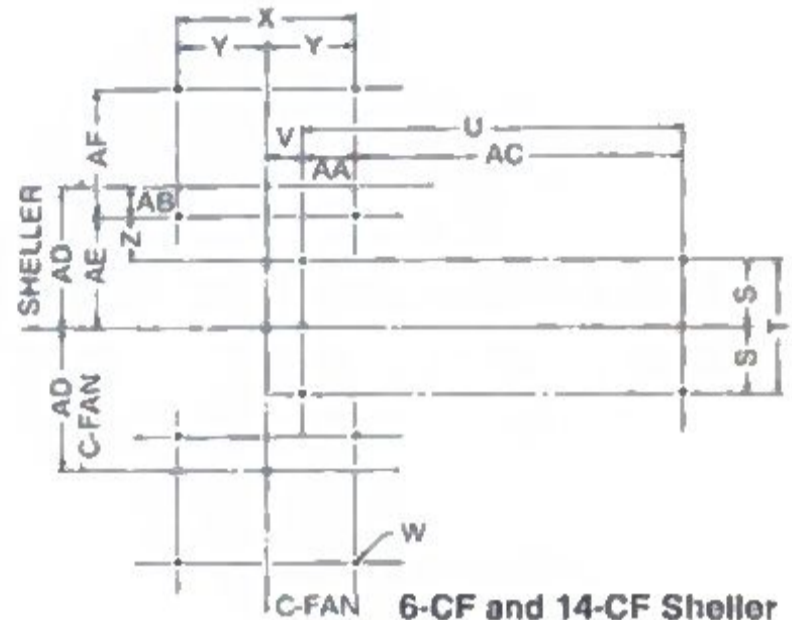
Sheller dimensional data:



3-C and 6-C Sheller



6-CF and 14-CF Sheller



6-CF and 14-CF Sheller mounting bolt plan

SHELLER MODEL NO.	A	B	C	D	E	F	G	H	J-SQ.	K
3-C	1'-8"	1'-0 $\frac{1}{4}$ "	4'-0 $\frac{1}{2}$ "	1'-3' $\frac{1}{4}$ "	3'-8 $\frac{1}{2}$ "	5'-0 $\frac{1}{2}$ "	1'-2 $\frac{1}{2}$ "	4'-1 $\frac{1}{2}$ "	1'-2"	7 $\frac{1}{2}$ "
6-C	1'-8"	1'-2"	4'-9 $\frac{1}{2}$ "	1'-10 $\frac{1}{2}$ "	4'-8"	6'-6 $\frac{1}{2}$ "	1'-1"	3'-2 $\frac{1}{2}$ "	1'-2 $\frac{1}{2}$ "	10"
6-CF	1'-9"	1'-2"	4'-9 $\frac{1}{2}$ "	1'-10 $\frac{1}{2}$ "	4'-8 $\frac{1}{2}$ "	6'-6 $\frac{1}{2}$ "	2'-2' $\frac{1}{4}$ "	3'-2 $\frac{1}{2}$ "	1'-2 $\frac{1}{2}$ "	10" SQ.
14-CF	2'-5"	1'-4"	6'-1 $\frac{1}{2}$ "	2'-2"	7'-0"	9'-2"	2'-3 $\frac{1}{2}$ "	4'-2 $\frac{1}{2}$ "	1'-8"	1'-0" SQ.

SHELLER MODEL NO.	L	M	N	P	Q	R	S	T	U	V
3-C	1'-7 $\frac{1}{2}$ "	3'-1 $\frac{1}{2}$ "	1 $\frac{1}{4}$ "	6"	1 $\frac{1}{2}$ "	1'-2' $\frac{1}{4}$ "	6 $\frac{1}{2}$ "	1'-1"	4'-0 $\frac{1}{2}$ "	4 $\frac{1}{2}$ "
6-C	1'-7 $\frac{1}{2}$ "	3'-2 $\frac{1}{2}$ "	2 $\frac{1}{2}$ "	10"	0	1'-8"	10"	1'-8"	5'-1"	4 $\frac{1}{2}$ "
6-CF	2'-0"	5'-11 $\frac{1}{4}$ "	2 $\frac{1}{2}$ "	2 $\frac{1}{2}$ "	1'-8"	—	10"	1'-8"	5'-1"	4 $\frac{1}{2}$ "
14-CF	2'-1 $\frac{1}{2}$ "	6'-6 $\frac{1}{2}$ "	2 $\frac{1}{2}$ "	2 $\frac{1}{2}$ "	2'-4 $\frac{1}{2}$ "	—	1'-1"	2'-2"	6'-2"	7"

SHELLER MODEL NO.	W	X	Y	Z	AA	AB	AC	AD	AE	AF
3-C	1 $\frac{1}{4}$ "	—	—	—	—	—	—	—	—	—
6-C	1 $\frac{1}{4}$ "	—	—	—	—	—	—	—	—	—
6-CF	1 $\frac{1}{4}$ "	2'-10 $\frac{1}{2}$ "	1'-5 $\frac{1}{2}$ "	8 $\frac{1}{2}$ "	1'-1"	8 $\frac{1}{2}$ "	4'-0"	2'-2' $\frac{1}{4}$ "	1'-8 $\frac{1}{2}$ "	2'-0 $\frac{1}{2}$ "
14-CF	1 $\frac{1}{4}$ "	3'-1 $\frac{1}{2}$ "	1'-6 $\frac{1}{2}$ "	8 $\frac{1}{2}$ "	11 $\frac{1}{2}$ "	7 $\frac{1}{2}$ "	5'-2 $\frac{1}{2}$ "	2'-3 $\frac{1}{2}$ "	1'-7' $\frac{1}{4}$ "	2'-2"

C-E Raymond
 Combustion Engineering, Inc.
 300 North Cedar Street
 Abilene, Kansas 67410
 (913) 263-4300

