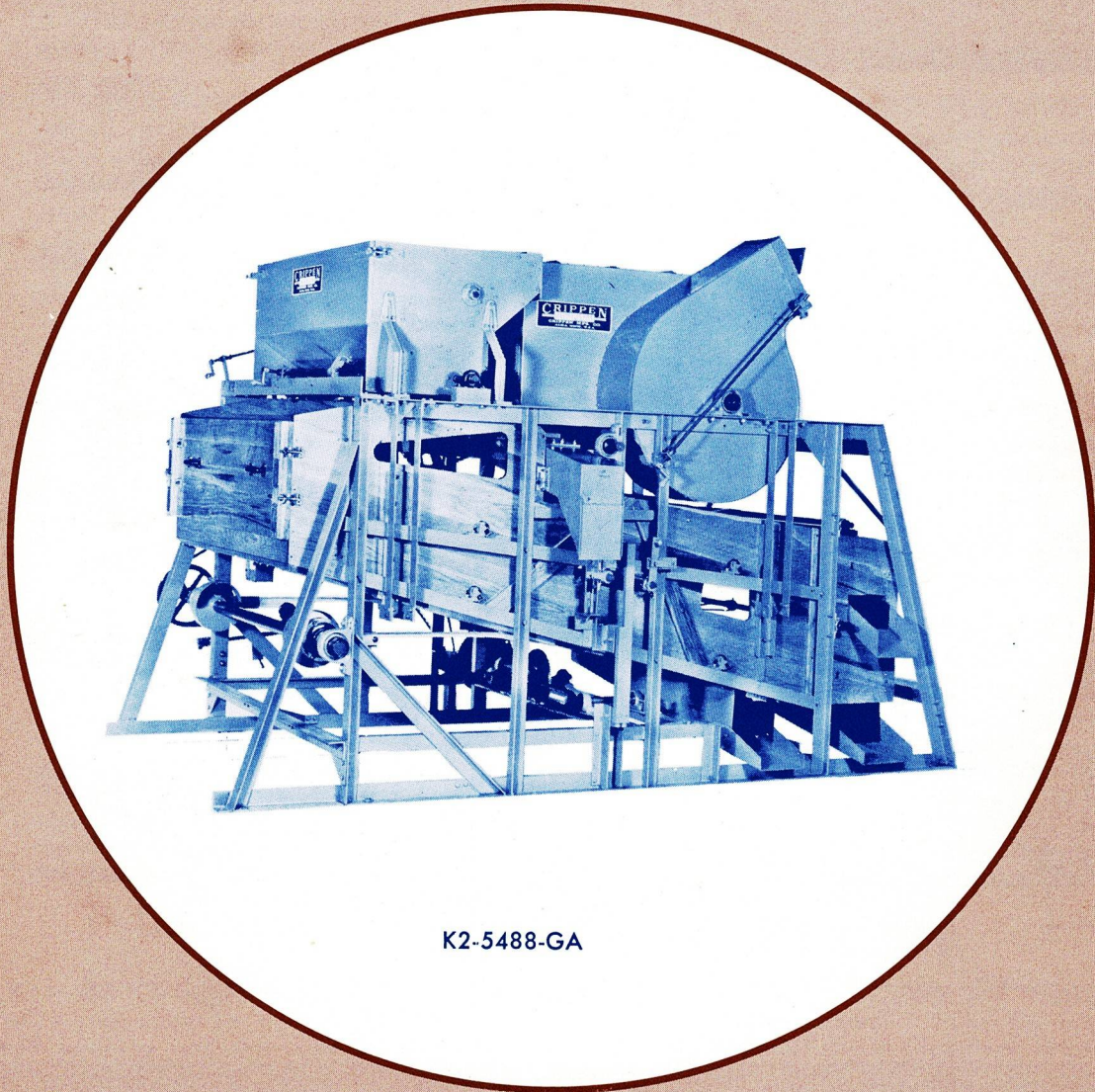


CRIPPEN series K

2 Screen

SCALPERS



K2-5488-GA

CRIPPEN MANUFACTURING COMPANY, INC.

ALMA, MICHIGAN, U. S. A.

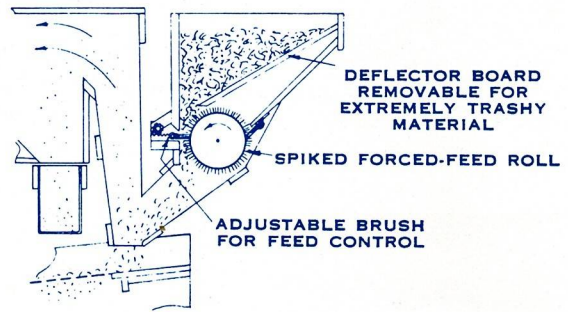


Model KA

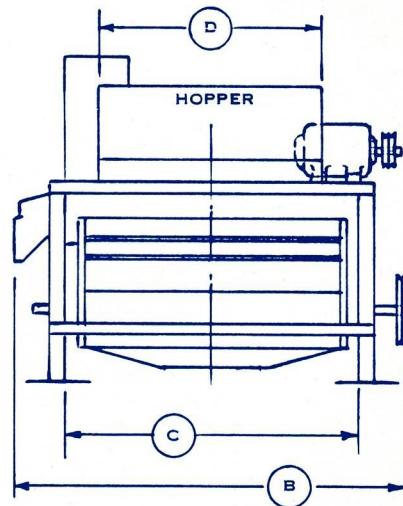
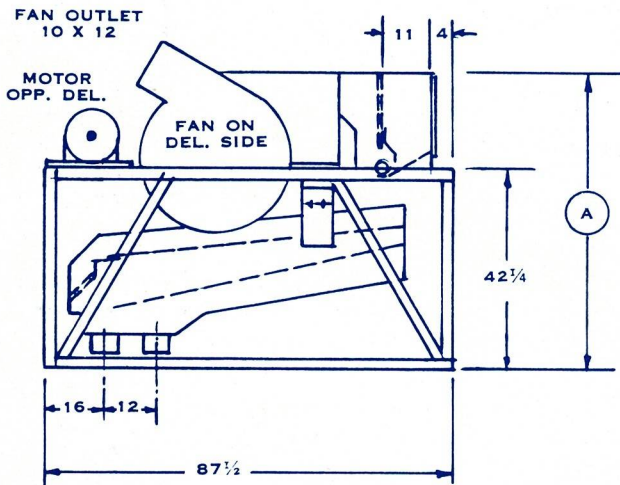
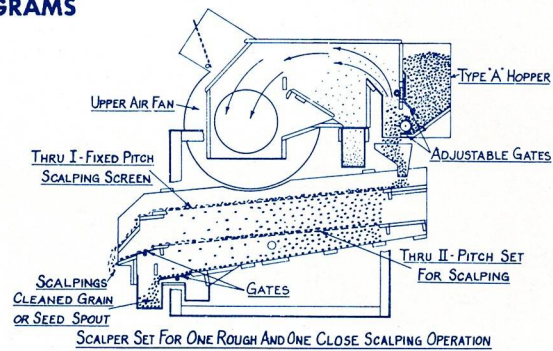
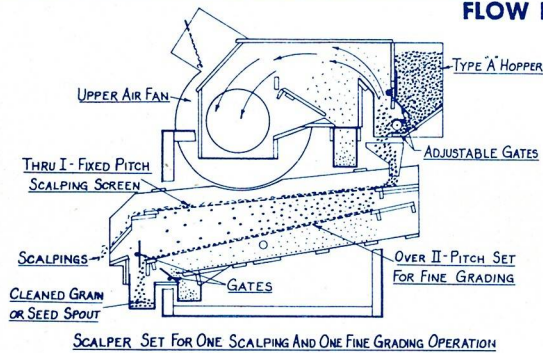
Adjustable For:
2 Scalping Operations
or
Top & Bottom
Operation

BOTH IN ONE MACHINE

TYPE "B" HOPPER FOR COTTON SEED AND TRASHY MATERIAL



FLOW DIAGRAMS



SPECIFICATIONS	KA-242-A	KA-242-GA	KA-254-A	KA-254-GA
DIMENSION A	57	63	57	63
DIMENSION B	67	67	79	79
DIMENSION C	49	49	61	61
DIMENSION D - INSIDE WIDTH	38-1/2	38-1/2	50-1/2	50-1/2
HORSEPOWER REQ'D.	1	3	1	3
FAN SHAFT DIA-	—	1-11/16	—	1-11/16
FAN SPEED - GRASS SEED - GRAIN - CORN	—	800-1000-1100	—	800-1000-1100
SCREEN SIZE	42 x 54	42 x 54	54 x 54	54 x 54

DIMENSIONS ARE APPROXIMATE AND SUBJECT TO CHANGE WITHOUT NOTICE. FOR ANY PARTICULAR MODELS BEING CONSIDERED, ORDER CURRENT DETAILED FLOOR PLAN.

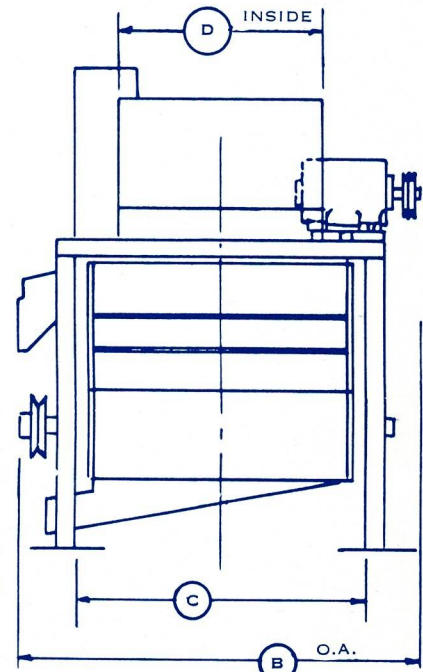
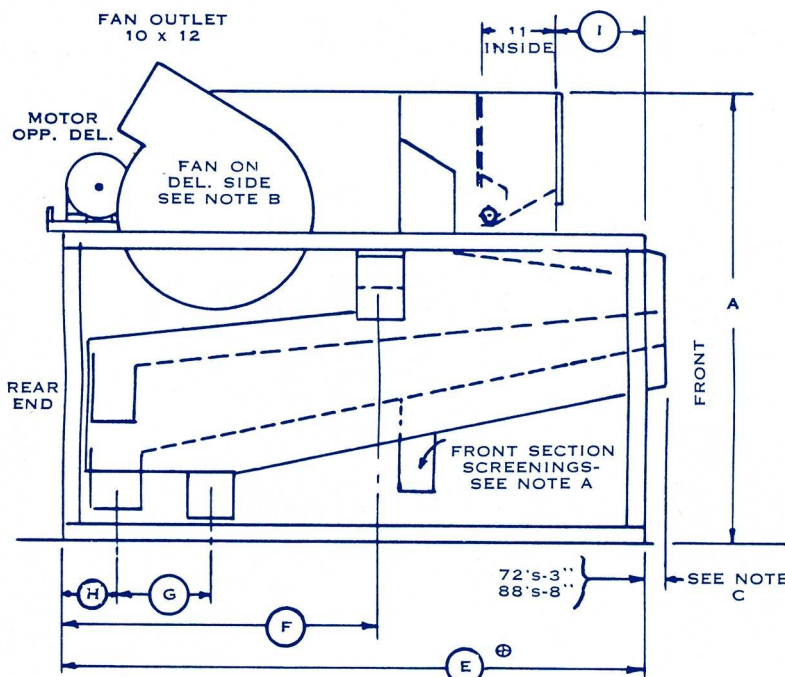
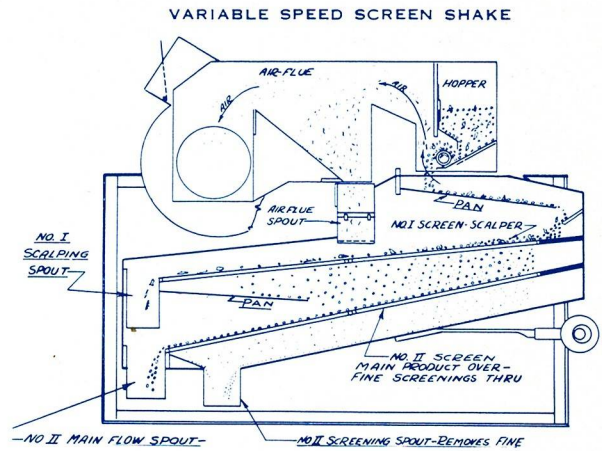
CRIPPEN MFG. CO., INC.
Alma, Mich., U.S.A.

Models K&K2

2 Screens

Top & Bottom
Operation

FLOW DIAGRAM



NOTE A — OPTIONAL EXTRA — 72" & 88" MODELS, NOT AVAILABLE ON 54" SCALPERS

NOTE C - ON SCALPERS WITH 54" LENGTH SCREENS, THE FRONT EDGE OF SHOE IS 10" INSIDE FRAME.

NOTE B - MODELS WITH FAN, FAN SHAFT 1-11/16 DIA. FAN SPEED - GRASS SEED 800 RPM - GRAIN 1000 RPM - CORN & BEANS 1100 RPM.

⊕ - ON 88" SCALPERS, TAPERING END MBRS. ON FRAME EXTEND BASE ANGLE 18" EACH END.

MODEL	SCREEN SIZE	H.P. REQ'D.	A	B	C	D	E	F	G	H	I
K-242-A	42 x 54	1	57	67	47-1/2	38-1/2	87-1/2	—	12	14	4
K-242-GA	42 x 54	3	63	67	47-1/2	38-1/2	87-1/2	61	12	14	4
K-254-A	54 x 54	1	57	79	59-1/2	50-1/2	87-1/2	—	12	14	4
K-254-GA	54 x 54	3	63	79	59-1/2	50-1/2	87-1/2	61	12	14	4
K2-4272-A	42 x 72	1	61	68	47-1/2	38-1/2	87	—	16-1/2	7	4
K2-4272-GA	42 x 72	3	70	68	47-1/2	38-1/2	87	48	16-1/2	7	13
K2-5472-A	54 x 72	1	61	80	59-1/2	50-1/2	87	—	16-1/2	7	4
K2-5472-GA	54 x 72	3	70	80	59-1/2	50-1/2	87	48	16-1/2	7	13
K2-5488-A	54 x 88	1-1/2	68	80	59-1/2	50-1/2	92 [⊕]	—	19	5	4
K2-5488-GA	54 x 88	3-5	78	80	59-1/2	50-1/2	92 [⊕]	54	19	5	8

DIMENSIONS ARE APPROXIMATE AND SUBJECT TO CHANGE WITHOUT NOTICE. FOR ANY PARTICULAR MODELS BEING CONSIDERED, ORDER CURRENT DETAILED FLOOR PLAN.

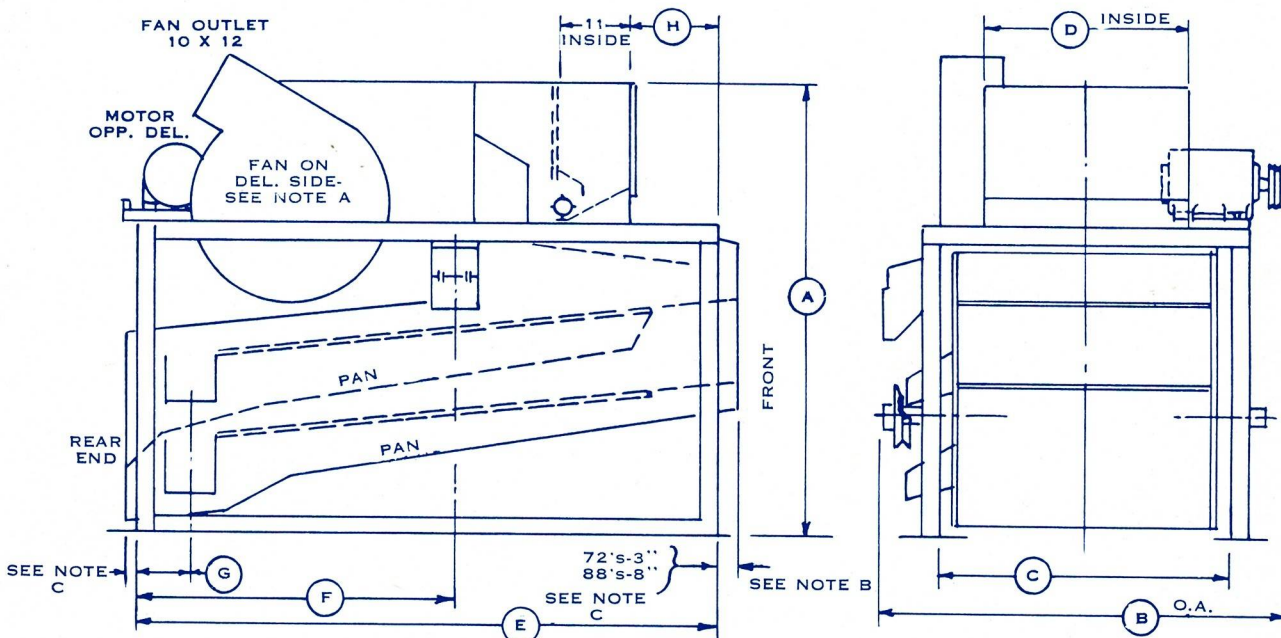
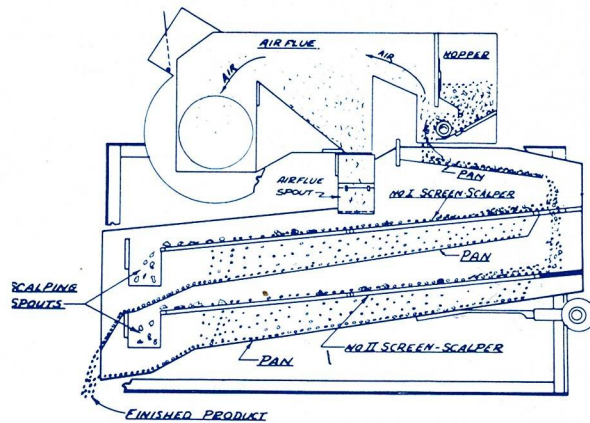
CRIPPEN MFG. CO., INC.
Alma, Mich., U.S.A.

Model KB

Divided Flow to
2 Parallel
Scalping Screens

FLOW DIAGRAM

VARIABLE SPEED SCREEN SHAKE



NOTE A - MODELS WITH FAN, FAN SHAFT 1-11/16 DIA. FAN SPEED - GRASS-SEED 800 RPM - GRAIN 1000 RPM - CORN & BEANS 1100 RPM.

NOTE B - ON SCALPERS WITH 54" LENGTH SCREENS, THE FRONT EDGE OF SHOE IS 10" INSIDE FRAME.

NOTE C - ON 72" SCALPERS, SHOE PROJECTS 1" PAST FRAME, ON 54" SCALPERS, SHOE SETS 10" INSIDE END OF FRAME, ON 88" SCALPERS, END FRAME MBRS TAPER, OUT AT BOTTOM - BASE ANGLE EXTENDS 18" EACH END PAST "E" DIMENSION. REAR END OF SHOE IS INSIDE FRAME.

MODEL	SCREEN SIZE	H.P. REQ'D.	A	B	C	D	E	F	G	H
KB-242-A	42 x 54	1	57	67	47-1/2	38-1/2	87-1/2	—	12	4
KB-242-GA	42 x 54	3	63	67	47-1/2	38-1/2	87-1/2	61	12	4
KB-254-A	54 x 54	1	57	79	59-1/2	50-1/2	87-1/2	—	12	4
KB-254-GA	54 x 54	3	63	79	59-1/2	50-1/2	87-1/2	61	12	4
KB-4272-A	42 x 72	1	61	68	47-1/2	38-1/2	87	—	16-1/2	4
KB-4272-GA	42 x 72	3	70	68	47-1/2	38-1/2	87	48	16-1/2	13
KB-5472-A	54 x 72	1	61	80	59-1/2	50-1/2	87	—	16-1/2	4
KB-5472-GA	54 x 72	3	70	80	59-1/2	50-1/2	87	48	16-1/2	13
KB-5488-A	54 x 88	1-1/2	68	80	59-1/2	50-1/2	92 [⊕]	—	19	4
KB-5488-GA	54 x 88	3-5	78	80	59-1/2	50-1/2	92 [⊕]	54	19	8

DIMENSIONS ARE APPROXIMATE AND SUBJECT TO CHANGE WITHOUT NOTICE. FOR ANY PARTICULAR MODELS BEING CONSIDERED, ORDER CURRENT DETAILED FLOOR PLAN.

CRIPPEN MFG. CO., INC.
Alma, Mich., U.S.A.

vided with a spiked feed roll for feeding unde-linted cotton seed and other trashy kinds of seed. This hopper can be supplied as an auxiliary hopper to the type A hopper. **TYPE C** — Special hopper for feeding the light weight grass seeds such as Ryegrass, Bent, Fescue, and Brome, as well as the free-flowing seeds and grain. It is especially valuable for feeding grass seed containing Rattail Fescue, etc., and large amounts of trash. Using a special vari-speed feed roll, the feed can be adjusted from a few RPM up to a maximum to provide a steady, even flow from the hopper. The Type C hopper is furnished at additional cost.

SPOUTS — The fine screenings and scalping spouts can discharge to either the left hand or the right hand side of the machine, and must be specified on the order. The finished product discharges at

the lower end of the machine across the full width or is hopped in slightly to the center, but side discharge spouts are available for most models if required. Left or right hand spouts are determined by facing the front end of the machine, which is the end from which the screens are removed.

SCREENS — The screens in the 54" length models are 1 piece screens. The screens in the models with 72" length screens are 2 piece screens and are interchangeable with the Model M-5472 or M-4272. The screens in the models with 88" length screens are 2 piece screens and are interchangeable with M-588 screens. There is a short spreader blank ahead of each screen in all models. It is not a part of the screen, and therefore does not decrease the amount of perforated area of the screen.

MODEL DESIGNATION

Following the model numbers on any of the scalpers, there will be either one, or two letters designating whether the machine has an air separation or not, and the type of hopper required.

MODELS WITH AIR SEPARATION AT THE HOPPER—

There are two letters that follow the model numbers. The first letter (G) designates that this model does have the air separation. The second letter (A, B, or C) designates the type hopper.

EXAMPLE: Model K2-5488-GA means this scalper has screens 54" wide x 88" long, it has the air separation at the hopper and has the type A hopper.

On these models, the fan locates on the delivery side. The fan can be set at any position from pointing straight out to the rear, (horizontal air discharge), or can be tipped up and forward far enough to point over the hopper to the front. The standard fan setting is 32 degrees above horizontal to the rear, but fan position must be specified on the order. The air separation discharge spout is also on the delivery side. Motor mounting is on side opposite delivery.

MODELS WITHOUT AIR SEPARATION AT THE HOPPER — These models will have just one letter following the model numbers, and this will be to designate the type of hopper, (Type A, B, or C).

EXAMPLE: Model KB-4272-B designates the divided flow scalper with screens 42" wide x 72" long, and having the Type B cottonseed hopper. This model does NOT have the air separation at the hopper.

ADJUSTABLE SPEED SHAKE: The scalpers with 72" and 88" long screens have the adjustable speed shake as standard equipment. It is also available as optional equipment at slight extra cost on the scalpers with 54" length screens.

All the scalper models have the same construction and design features that are embodied in the Crippen Cleaner line. Frames are all steel. Thoroughly seasoned hardwood used throughout on all shoes, hoppers, and airflues. Ball bearings are dust-proof, high grade, long lasting. Fan housings are heavy gauge steel. There are two brushes under each screen. Roller chain and V-belts are used throughout. All spouts are 100% self cleaning. Trouble-free brush drive mechanism; no enclosed gears or hidden parts. Heavy duty roller chain used.

CAPACITIES

Capacity varies greatly from one grain to another, and depends upon the size screens being used and the feed adjustment at the hopper. Generally, if you are scalping or pre-cleaning ahead of a cleaner, the 2 screen top and bottom scalper will handle comparable volume to a 4 or 5 screen cleaner with screens of about the same overall length and width

dimensions as the scalper. In some cases, depending upon perforation sizes and the separation desired, one scalper will be sufficient to pre-clean ahead of 2 cleaners. In the KB divided flow models, capacities will be double the top and bottom scalper capacities.

	KA-254 K-254	KB-254	K2-5472	KB-5472	K2-5488	KB-5488
Corn, Soybeans, grain, etc., Approx. Bu/hr. up to	800	1600	1200	2400	1500	3000

NOTE: CAPACITIES FOR 42" WIDTH MODELS APPROXIMATELY 22% LESS THAN SHOWN ABOVE.



SEE WHAT A

Crippen Scalper

CAN DO FOR YOU

ON BEANS: *The 2 screen, top and bottom operation scalpings (models K or K2) are especially adaptable to use in your bean cleaning line ahead of the regular bean cleaner. Scalp off pods, sticks, stems, and stones, and screen out the dirt and small weed seeds fast and economically. Spout this trash and dirt into bags, or into the dust house so it is completely separate from the work the cleaner is doing. Air at the hopper will increase the efficiency of the scalper by lifting out a great deal of foreign material ahead of the screens.*

ON CORN: *Any of the 3 basic models could be used on corn depending on what separations are desired. If high capacity scalping is needed, then the KB models would be excellent for scalping off pieces of cobs, husks, and any other large foreign material. If a top and bottom operation were needed, then either the KA, or the K or K2 would give the desired separations and selection of the proper model would only depend upon the capacity needed.*

ON FLAX: *The K or K2 models with the top air separation give you an excellent flax cleaner with a top and bottom screen separation. Where overhead room or floor space do not permit the use of the larger flax cleaners, or where higher capacity is not required, this machine will give amazing results at very low cost.*

ON SMALL LEGUMES, CLOVER, LESPEDEZA, ETC: *The KA, or the K or K2 models will give you a scalping and bottom operation that will allow you to remove light trash with the fan, scalp off small sticks, stems, clusters and unhulled seeds, and drop thru small weed seeds, dirt, etc., ahead of the cleaner, so the cleaner can do a much closer finishing separation. If your seed comes in with a very high percentage of trashy material, consider the KB with the divided flow to 2 scalping screens to scalp off this trash. With air at the hopper you will further improve production.*

ON GRASS SEED: *The KB model is especially well suited for grass seed work ahead of the cleaner. With the divided flow to two screens, the bulk of the foreign material can be scalped off easily and at high capacity. By using the special grass-seed hoppers (Type B or Type C) and with the air separation at the hopper, you can greatly reduce the tare and increase your net pounds per hour thru your regular grass-seed cleaner.*

ON OTHER GRAINS AND SEED: *The examples above are only a few of the specific uses of the CRIPPEN SCALPER. In almost any cleaning operation, there is a definite place for one of the scalper models. It provides you with an economical machine, using small floor space for the great amount of work it can do to "condition" the product for further cleaning operations.*

THE 3 BASIC MODELS ARE AS FOLLOWS:

1) **KA**— The KA models are 2 screen scalpings, and may be used either for double scalping, i.e., one rough scalping and one close scalping operation, or for one scalping and one fine grading or sizing operation. The screens in these models are 54" long, and come either in 42" width or 54" width.

2) **K-242, K-254, K2-4272, K2-5472, K2-5488.** These models are 2 screen scalpings, with top and bottom operation. They are available in screen lengths 54", 72" and 88". The models with screen lengths 54" and 72" are available with screen widths either 42" or 54". The K2-5488 which has a screen length 88" is available only in 54" screen width.

3) **KB**— The KB models are 2 screen scalpings with the flow divided, half going to the upper screen and half to the lower screen. The same size perforations are used in both screens. The screens,

being on the same pitch, are parallel and give identical separations. After the scalpings have been taken off the two separate streams of grain, the grain comes together and discharges as one stream from the machine.

SCALPERS AVAILABLE WITH OR WITHOUT AIR AT THE HOPPER.

All of the scalpings shown are available with or without an air separation at the hopper. See paragraph below on MODEL DESIGNATION for the proper model numbers.

HOPPERS — There are 3 types of hoppers available. **TYPE A** — Used to feed the smallest kinds of seed as well as grain, beans, corn, etc., containing pods, cob particles, sticks, straw or other foreign material, and will feed the commodity to the screens in a constant, even flow. **TYPE B** — Pro-